

Comprehensive range
covering Passenger and
Light Commercial Vehicles



**Glow Plugs
For Australia and
New Zealand**

2010



BOSCH

Invented for Life



From the very beginning, Bosch's history has been characterised by a drive for innovation and social commitment. Environmental and social responsibilities are core values at Bosch. Our slogan "Invented for life" conveys the ambitious standards we have set ourselves and the values that we have long stood for. "Invented for life" stands for reliable technology designed and built to last. At the same time it embodies innovations and technology that contribute to the conservation of resources, sustainable development, and helping people improve their quality of life.

The Robert Bosch Stiftung (Robert Bosch Foundation) was established in 1964 to keep alive the philanthropic and social endeavours of its founder Robert Bosch. Through its programs and institutes, the foundation has since issued 840 million euros in project funds. In 2007, it made available 58.9 million euros for non-profit projects. Education, international understanding, and public welfare are the top priorities stated in Robert Bosch's will and are the pillars of our work today.

Responsibility for the environment is a core value at Bosch and is firmly anchored in our principles for safety and environmental

protection. Our environmental focuses are on renewable energies, energy efficiency, and emissions reduction. At Bosch we believe we have an obligation to develop innovative and beneficial technology and in order to meet such demands, considerable amounts of money are spent each year on research and development. We employ more than 25,000 research and development associates worldwide, all working towards the creation of technology that is innovative, beneficial and environmentally friendly.

© COPYRIGHT 2010 – Robert Bosch (Australia) Pty Ltd

All rights reserved. No part of this publication may be reproduced or transmitted in any form or by any means, electronic or otherwise including, without limitation, photocopying or recording without permission in writing from the copyright owner. All details, illustrations and specifications contained in this publication are based on the latest information available at the time of printing. Whilst every precaution is taken to ensure the accuracy of the content, Robert Bosch (Australia) Pty Ltd accepts no responsibility for any errors or omissions.

Glow Plugs

Product Information

- A2** The Bosch Automotive Story
- A4** Glow Plug Technology From Bosch
- A5** Compression Ignition Engine Design Features
- A6** Duraterm Technology
- A8** General Warranty Information

Application

- B1** How to Use This Catalogue
- B2** Vehicle Applications

Glow Plug Dimensions and Picture References

- C2** Glow Plug Dimensions
- C6** Picture References

Cross Reference

- D1** Original Equipment



An explanation of the special cases in the applications section (section B) can be found on the inside back cover.



The Bosch Automotive Story



The Bosch Group is a leading global supplier of technology and services, with more than 300 subsidiaries and regional companies in over 50 countries.

The beginnings were humble. In 1898 Robert Bosch developed a magneto ignition device and adapted it to suit a vehicle engine. In doing this he developed the first reliable ignition system, solving one of the greatest technical problems faced by the automotive industry at that time. This key innovation was the first chapter in the success story of Bosch as an automotive supplier.

From 1902 Bosch developed a high voltage magneto ignition system incorporating spark plugs. While the magneto ignition has long since been replaced by battery ignition systems, Bosch today manufactures more than 300 million spark plugs per year, using the very latest precious metal technology.

As cars became a product for the masses, Bosch recognised the prospects for developing motor vehicle lighting. Research in this area resulted in the launch of the Bosch automotive lighting system, comprising of headlights, a generator, a regulator and a battery. This was a significant milestone for both Bosch and the industry, being the first all-in-one system available to consumers, and also the basis for components such as starters, horns, windshield wipers, indicators and car heating systems to be developed and added to the business.

From about 1920, the growth of diesel engines in trucks was a concern at Bosch, because diesel engines did not need an ignition system, the company's main sales driver. To capitalise on this technological advance, Bosch began developing diesel injection pumps and in 1936 launched the first diesel injection pump for passenger cars. Today, Bosch is the global leader in diesel technology, whether it be for passenger cars, trucks or injection systems for ships.

In the years that followed, Bosch made numerous developments with other automotive products. Gasoline injection systems were developed from

1935 and by 1967 had all but displaced the carburettor. Braking systems have also been part of the Bosch offering since 1927. The introduction of the Bosch ABS antilock braking system in 1978 was a significant development in vehicle safety, laying a foundation for the development of further systems, such as Traction Control and the Electronic Stability Program (ESP®).

In today's market, vehicle manufacturers and service organisations face the worldwide challenge of efficient service for highly evolved vehicle systems. This includes not only mastering the electronic systems in today's automobiles, but also utilising the latest state-of-the-art diagnostics technologies to improve servicing efficiencies. The growing range of Bosch diagnostic and service equipment delivers a sophisticated solution for today's workshops to meet these challenges.

Bosch spends billions of dollars annually in research and development to preserve its position as a technological leader. The company's technological competence is evident in the fact that Bosch is world leader in the number of automotive technology patent applications it submits each year. Every hour Bosch research teams create new patents to make Bosch products safer, more efficient and more environmentally friendly.

As one of the world's largest independent manufacturers of automotive parts and systems, Bosch products and technology, supplied through a global network of factories, can be found on virtually every make of car currently produced throughout the world. This strong link to original equipment development and innovation means Bosch is able to deliver a superior aftermarket offering to its customers.

With most vehicles on the road incorporating many Bosch manufactured components, it made sense for Bosch to support these products with local service centres. The Bosch Service Network is a group of over 14,000 independent workshops worldwide, offering the latest technical expertise, tools and equipment to motorists.



In just over a hundred years, Bosch successfully transformed from a small automotive supplier into a modern, multinational group, which today has a workforce of more than 270,000 people worldwide.

Bosch employs over 2,300 associates in Australia and New Zealand with activities spanning three business sectors: Automotive Technology, Consumer Goods and Building Materials, and Industrial Technology.

During the past five decades Bosch has grown into a major force in the Australian automotive industry. Today, Robert Bosch Australia is no longer a local company manufacturing automotive components only for Australian customers. It is truly an integrated member of the Bosch global network supplying overseas customers in Europe, Asia and America.

In the automotive industry the name Bosch is now synonymous with leading technology, sophisticated service solutions and high quality replacement parts.



Glow Plug Technology From Bosch



The hotter the combustion chamber, the quicker diesel engines start. Even after start-up, the optimum glow temperature continues to ensure dynamic handling and clean combustion. Thanks to Bosch, you can provide customers with the right glow system for their vehicle.

Hints and Tips

When fitting new glow plugs always test the timer is operating correctly.

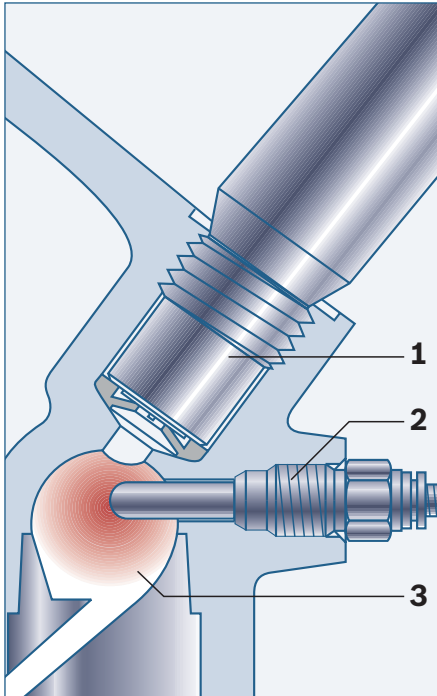
Older engines used a glow period of up to 21 seconds where as modern engines use around a 6 to 8 second heating period and provide after glow at a reduced voltage. If the pump timing is not correct or the engine is over fuelled this can damage the glow plugs by increased vibration and heat.

When selecting a glow plug, obey the manufacturer's instructions for battery capacity and make sure of the manufacturer's part number in accordance with this catalogue. Failure to do this may result in starting difficulties (eg using a 24V in a 12V vehicle) or melting of the glow plug (eg using a 12V in a 24V vehicle).

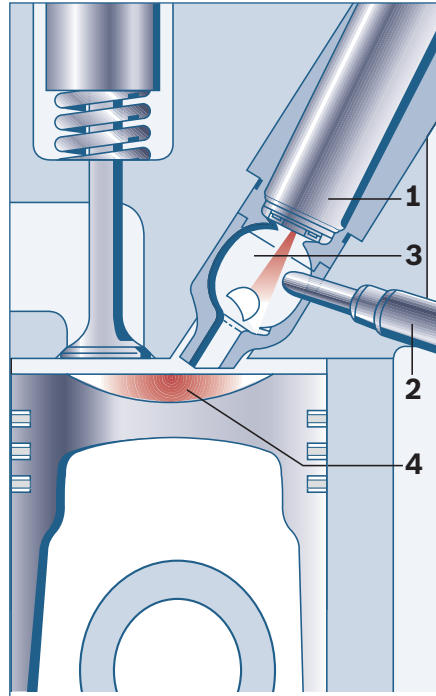
When replacing glow plugs, test the function of the relay and controller.

Ensure any resistor straps are clean and free of corrosion.

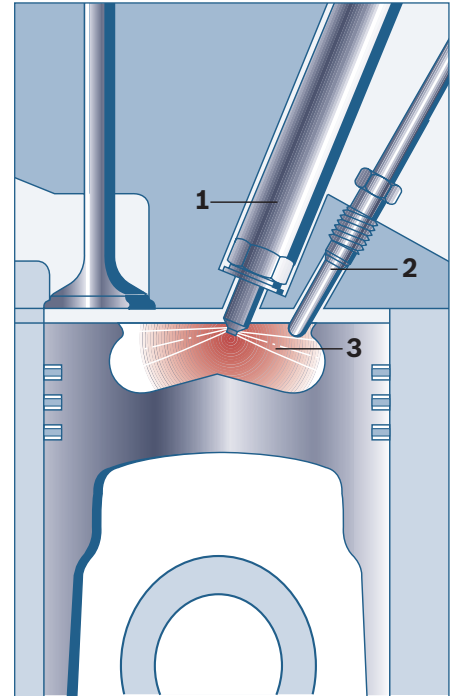
Compression Ignition Engine Design Features



Swirl chamber engine
 1 Nozzle-holder assembly with nozzle
 2 Glow plug
 3 Swirl chamber



Prechamber engine
 1 Nozzle-holder assembly with nozzle
 2 Glow plug
 3 Prechamber
 4 Combustion chamber



Direct-injection engine
 1 Nozzle-holder assembly with nozzle
 2 Glow plug
 3 Combustion chamber

Diesel compression ignition engine

The injected fuel is automatically ignited by the air which is compressed and heated during the compression stroke.

Diesel engines do not always rev up as expected at low outdoor temperatures. Increased friction as well as leakage and heat losses during the air compression reduce the compression pressure and combustion chamber temperature. Start-up is no longer possible without an additional energy supply from the glow plugs.

The starting temperature required is also governed by the design of the engine

Direct-injection engines with a single-piece combustion chamber have a lower heat loss and therefore a better starting response than prechamber engines or swirl chamber engines with a split combustion chamber.

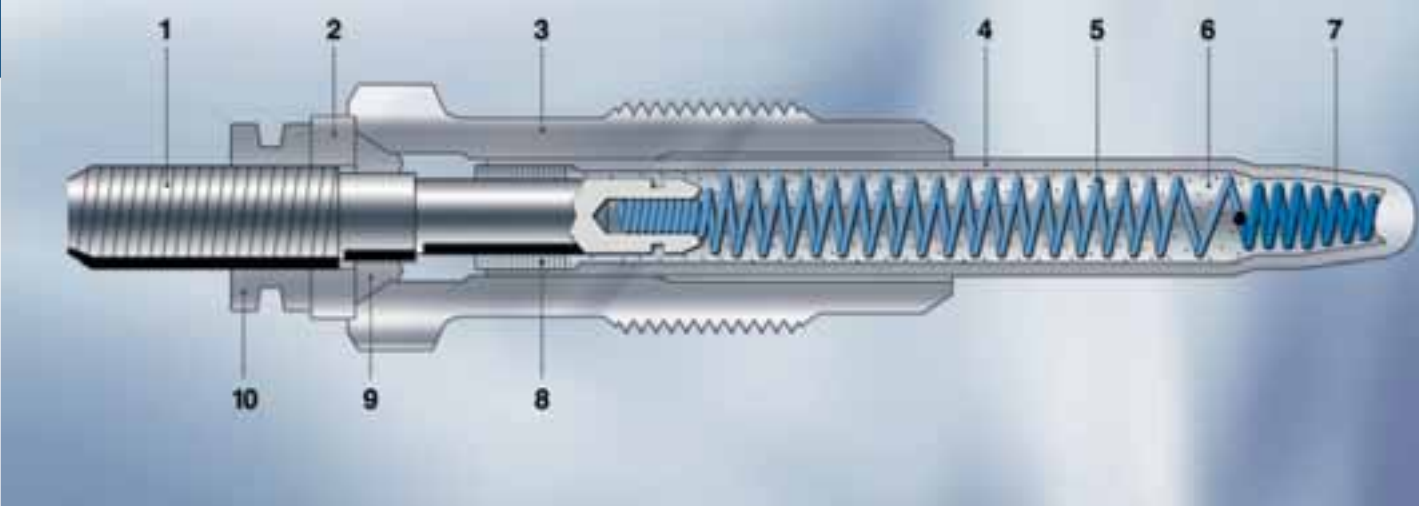
The glow plug as energy supplier

The glow element of the glow plug projects into the glow chamber or the prechamber. Placed directly at the edge of the mixture swirl, it produces heat exactly where it is required. Glow plugs are preheated to more than 850°C for cold starting. In modern diesel engines, the glow plugs continue to glow for several minutes after start-up. This results in a significant reduction in emissions and smooth running of the engine immediately after starting.



Duraterm Technology From Bosch:

Fast starts and environmentally friendly



Duraterm sectional view: Ready to start in less than 4 seconds; post-heating for up to 3 minutes

- | | | | | |
|--------------------------|--------------------|---------------------------------|------------------------------|--------------------|
| 1 Connector | 3 Shell | 5 Control filament | 7 Heater filament | 9 Dual seal |
| 2 Insulating disk | 4 Glow tube | 6 Magnesium oxide powder | 8 Heater-element seal | 10 Rim nut |



Environmentally friendly coating



Conventional coating

Duraterm control filament for long life

Durability pays. Bosch's patented Duraterm technology optimally regulates the current and temperature in the heating zone, automatically limiting the steady-state temperature to around 1,000°C. The advantage? Longer change intervals thanks to longer life!

Changed in a flash

Duraterm is tried-and-proven Bosch quality through-and-through. The nickel-plated, rolled thread will not corrode, and will not seize in the cylinder. Fitting and removal is very quick and easy.

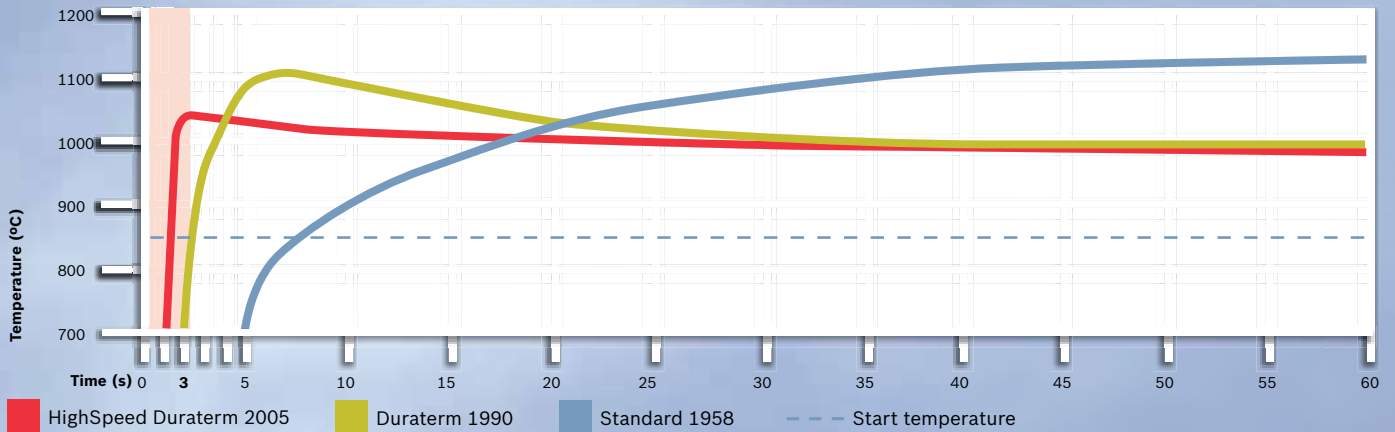
An all-round winner! Full dynamism, minimal emissions

The Duraterm glow plug continues to maintain the necessary temperature in the combustion chamber after starting. At the right post-heating temperature, the cold engine quickly reaches full power, while ensuring low consumption and reduced exhaust emissions. Smooth, quiet engine running ensures outstanding ride comfort right from the start.

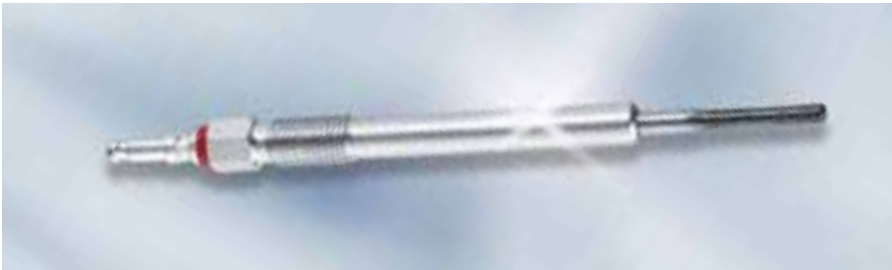
Bosch Duraterm: now also available with a new environmentally friendly coating

- ▶ On the Duraterm the yellow Cr6+ chromating is already replaced by a new, environmentally friendly chromating or by galvanization

Start cleanly with Bosch Duraterm!



Fast Duraterm heat-up curve for top starting comfort



HighSpeed Duraterm

Reliable motoring with Duraterm

High-performance diesel engines place the utmost demands on the glow system. Post-heating Bosch glow plugs ensure more dynamism and enhanced driving pleasure. The low fuel consumption they bring is a relief to the environment and to the wallet.

Top starting comfort based on a reduced tip

No waiting, just start. With Duraterm technology from Bosch the vehicle can be started in less than 4 seconds. The HighSpeed Duraterm variant can be started in less than 3 seconds. Whatever the ambient temperature: Bosch will start your diesel reliably.

Robert Bosch Australia General Warranty Information



Introduction

All products manufactured and/or sold by Bosch Australia carry a statutory and voluntary warranty. Consumer's rights to such warranty are limited to failures and defects caused by a material or manufacturing fault within the specified warranty period.

This warranty information describes very broadly the general procedure for the settlement of warranty claims. Detailed information relating to the most commonly submitted non-warranty cases should also be reviewed prior to any warranty submission. Only genuine warranty cases are accepted.

What is a Warranty Case?

A warranty case exists when a Bosch product or spare part fails within the specified warranty period as a result of a manufacturing or material fault.

What are Non-warranty Cases?

A warranty case does not exist if the fault is caused by a violation of the operating, maintenance or installation instructions, inappropriate or improper use, incorrect handling or unauthorised repairs and modifications performed by third parties. Other examples of non-warranty cases are failures caused by foreign contamination and water entry.

Natural Wear and Tear

Damage caused by natural wear and tear does not constitute a warranty case even if it occurs within the warranty period.

Wrong Deliveries and Transit Damage

Wrong deliveries, incorrect or damaged packing and transit damage claims are not warranty cases and will not be processed as a warranty claim. Such cases should be directed to Bosch Customer Service on 1300 30 70 40.

Warranty Responsibility and Evaluation

All warranty claims are to be resolved in the most economical and efficient way, either by repair or replacement. In the case of Bosch glow plugs, these must be sent to a Bosch Authorised Service Dealer for warranty evaluation and/or repair.

For details of your nearest Bosch Authorised Service Dealer please call our hotline on 1300 060 060 or visit www.bosch.com.au

Initiating a Claim

If a Bosch product fails within the specified warranty period as a result of a manufacturing or material fault, consumers should:

- ▶ Stop using the goods.
- ▶ Let the seller know as soon as possible.
- ▶ Look after the goods until they are returned.
- ▶ Return the goods, including proof of purchase (while there are no time limits, this should be done as soon as possible).

Packaging

Goods do not have to be returned with the original packaging to obtain a refund.

Warranty Periods and Proof of Purchase

The warranty period begins from the date of sale to the customer (generally the consumer). The warranty period is not renewed nor extended as a result of a warranty repair or with the supply of a replacement part. The seller is entitled to ask for proof of purchase when goods are claimed under warranty and consumers are obligated to provide proof of purchase when claiming goods under warranty. Proof of purchase will generally indicate if the purchased product is covered under warranty.

All Bosch glow plugs are covered by a 12 month or 20,000km warranty period within Australia.

Deadlines for Submitting Warranty Claims

Bosch Australia aims to rectify genuine quality problems as a priority. This is generally achieved by investigating why defective products have failed and by introducing immediate corrective action measures to prevent re-occurring warranty failures. It is therefore critical that all warranty cases are promptly reported to Bosch Australia. Bosch reserves the right to request the prompt return of all defective parts.

Product Liability and Product Safety

Bosch Australia should be informed immediately about potential product safety concerns within and outside the warranty period. Bosch Australia is well aware of its product liability and product safety obligations and responsibilities. It is our aim to ensure appropriate product safety standards are met in order to avoid injury, loss and damage caused by defects in Bosch products.



A series of horizontal lines spanning the width of the page, providing a template for handwritten notes.

Vehicle Application Listing

- 1 Vehicle make
- 2 Vehicle model
- 3 Vehicle series
- 4 Fitment date
- 5 No. of cylinders
- 6 Engine capacity
- 7 Engine type
- 8 Chassis number
- 9 Special case
- for explanations refer to inside back cover
- 10 Standard glow plug
- 11 Duraterm glow plug

| DAIHATSU B5 | | | | | | | | | | |
|---|---------------|---|-----|-------------------------|------------------------|---------------|--|--|--|--|
| CITROEN | | | | | | | | | | |
| Berlingo | | | | | | | | | | |
| M59 | 09.05 - 02.06 | 4 | 1.6 | 9HW <DV6B> | Org. → 10688 | 0 250 204 001 | | | | |
| | 03.06 → | 4 | 1.6 | 9HW <DV6B> | Org. 10689 → | 0 250 204 002 | | | | |
| B9 | 05.08 → | 4 | 1.6 | 9HX <DV6ATED4> | | 0 250 204 002 | | | | |
| BX | | | | | | | | | | |
| X56 | 03.88 - 12.94 | 4 | 1.8 | A8A <XUD7TE> | | 0 250 201 039 | | | | |
| C3 | | | | | | | | | | |
| A31 | 09.05 - 02.06 | 4 | 1.6 | 9HX <DV6ATED4> | Org. → 10688 | 0 250 204 001 | | | | |
| | 03.06 → | 4 | 1.6 | 9HX <DV6ATED4> | Org. 10689 → | 0 250 204 002 | | | | |
| C4 | | | | | | | | | | |
| B5 | 11.04 → 02.06 | 4 | 1.6 | 9HY/9HZ <DV6TED4> | Org. → 10688 | 0 250 204 001 | | | | |
| | 11.04 → | 4 | 2.0 | RHR <DW10BTED4> | | 0 250 202 032 | | | | |
| | 03.06 → | 4 | 1.6 | 9HY/9HZ <DV6TED4> | Org. 10689 → | 0 250 204 002 | | | | |
| B58 | 10.06 → | 4 | 2.0 | RHR <DW10BTED4> | | 0 250 202 032 | | | | |
| | 02.07 → | 4 | 1.6 | 9HZ <DV6TED4> | | 0 250 204 002 | | | | |
| | | | 2.0 | RHR <DW10BTED4> | | 0 250 202 032 | | | | |
| C5 | | | | | | | | | | |
| X4 | 03.01 - 09.04 | 4 | 2.0 | RHZ <DW10ATED> | | 0 250 202 032 | | | | |
| X3 | 10.04 - 09.05 | 4 | 2.2 | 4HX <DW12TED4> | | 0 250 202 032 | | | | |
| | 10.04 - 03.08 | 4 | 2.0 | RHR/RHL <DW10BTED4> | | 0 250 202 032 | | | | |
| X7 | 04.08 → | 4 | 2.0 | RHR/RHF <DW10BTED4> | | 0 250 202 032 | | | | |
| Dispatch | | | | | | | | | | |
| 09 | 02.07 → | 4 | | RHK <DW10UTED4> | | 0 250 202 032 | | | | |
| Saxo | | | | | | | | | | |
| S8 | 07.96 - 09.03 | 4 | 1.5 | VJZ <TUD5L> | | 0 250 202 020 | | | | |
| Xantia | | | | | | | | | | |
| X2 | 12.97 - 12.01 | 4 | 1.9 | DHX <XUD9BTF/L3> | | 0 250 201 042 | | | | |
| DAEWOO | | | | | | | | | | |
| Musso | | | | | | | | | | |
| MJ | 07.93 - 12.00 | 5 | 2.9 | OM 662 D29 <OM 602.910> | | 0 250 201 041 | | | | |
| | 05.97 - 12.00 | 5 | 2.9 | OM 662 D29 <MB-OM 602> | | 0 250 201 047 | | | | |
| | | | | | | 0 250 201 041 | | | | |
| | | | | | | 0 250 201 047 | | | | |
| DAIHATSU | | | | | | | | | | |
| Charade | | | | | | | | | | |
| G101S | 01.87 - 01.93 | 3 | 1.0 | CL | Chassis G101S (MANUAL) | GPD-906 | | | | |
| Delta Wide | | | | | | | | | | |
| CB21G | 08.85 - 08.87 | 4 | 2.0 | 2CT | Chassis CB21G | GPD-903 | | | | |
| | 09.87 - 09.93 | 4 | 2.0 | 2CT | | 0 250 202 095 | | | | |
| CB27V | 08.88 - 08.95 | 4 | 2.0 | 2C | Chassis CB27V | GPT-222 | | | | |
| | | | | | | 0 250 202 095 | | | | |
| CB22G | 09.93 - 09.96 | 4 | 2.2 | 3CT | Chassis CB22G | GPT-225 | | | | |
| | | | | | | GPT-225 | | | | |
| Bosch Automotive Aftermarket 2010 DAIHATSU ▶ | | | | | | | | | | |

This catalogue contains data from the vehicles, engines and equipment for the Australian market from the year of manufacture 1960 up to and including 2009. This data has been assembled from information provided by manufacturers and importers, Bosch documentation as well as from investigations made on vehicles as at the date of publication. It reflects the status as at January 2010

Whilst every care has been taken in the preparation of this catalogue, it is not possible for Bosch to guarantee its sources or to avoid discrepancies caused by technical changes to vehicles, engines and equipment due to the conditions and regulations applying in Australia. Except in respect of any implied warranties which cannot be excluded by law, Bosch does not make any representation or warranty as to the

accuracy, completeness or suitability of the information in this catalogue. Bosch reserves the right to alter specifications and its product range without notice.

To the extent permitted by law, Bosch is not liable for any loss or damage whatsoever (including special, direct, consequential or incidental damages for loss of profits or loss of revenue) arising out of or relating to this catalogue whether arising in tort, contract, under statute, at law or otherwise.

Before relying on this catalogue, users may wish to carefully evaluate the information for their purpose and obtain further advice relevant to their circumstances. From time to time, Bosch may (at its discretion) issue bulletins containing updates to this information to which users of this catalogue should have regard.



ALFA ROMEO

Alfa 147

| | | | | | | |
|-----|--------|---|-----|----------------|--|---------------|
| 937 | 06.05→ | 4 | 1.9 | 937A5000 <M92> | | 0 250 203 001 |
|-----|--------|---|-----|----------------|--|---------------|

Alfa 159

| | | | | | | |
|-----|--------|---|-----|-------------------|--|---------------|
| 939 | 06.05→ | 4 | 1.9 | 939A2000 <M92 E4> | | 0 250 203 001 |
| | | 5 | 2.4 | 939A3000 <M95 E4> | | 0 250 203 001 |
| | 03.06→ | 4 | 1.9 | 939A2000 <M92 E4> | | 0 250 203 001 |
| | | 5 | 2.4 | 939A3000 <M95 E4> | | 0 250 203 001 |

ASIA (ASIA MOTORS)

Rocsta

| | | | | | | |
|----|---------------|---|-----|-----------|--|---------------|
| CA | 08.94 - 12.98 | 4 | 2.2 | R2 <SOHC> | | 0 250 202 007 |
|----|---------------|---|-----|-----------|--|---------------|

AUDI

A3

| | | | | | | |
|-----|---------------|---|-----|-----|--|---------------|
| 8P1 | 05.03 - 06.08 | 4 | 2.0 | BKD | | 0 250 403 002 |
| 8PA | 09.04 - 06.08 | 4 | 2.0 | BKD | | 0 250 403 002 |
| | 11.05 - 05.09 | 4 | 1.9 | BLS | | 0 250 402 001 |

A4

| | | | | | | |
|---------|---------------|---|-----|------|-----|---------------|
| 8D2, B5 | 11.94 - 07.96 | 4 | 1.9 | 1Z | KER | 0 250 201 032 |
| | | | | | MOR | 0 250 202 022 |
| 8EC, B7 | 11.04 - 05.05 | 4 | 2.0 | BLB | | 0 250 403 002 |
| 8K2, B8 | 11.07 - 05.08 | 6 | 2.7 | CAMA | | 0 250 403 007 |
| | 11.07→ | 4 | 2.0 | CAGA | | 0 250 403 007 |
| | 06.08→ | 6 | 2.7 | CGKA | | 0 250 403 007 |

A4 Avant

| | | | | | | |
|---------|---------------|---|-----|------|-----|---------------|
| 8D5, B5 | 01.95 - 07.96 | 4 | 1.9 | 1Z | KER | 0 250 201 032 |
| | | | | | MOR | 0 250 202 022 |
| 8K5, B8 | 04.08→ | 4 | 2.0 | CAGA | | 0 250 403 007 |
| | 06.08→ | 6 | 2.7 | CGKA | | 0 250 403 007 |

A4 Quattro

| | | | | | | |
|---------|---------------|---|-----|-----|--|---------------|
| 8EC, B7 | 01.06 - 06.08 | 6 | 3.0 | ASB | | 0 250 403 007 |
|---------|---------------|---|-----|-----|--|---------------|

A5 Cabriolet quattro

| | | | | | | |
|-----|--------|---|-----|------|--|---------------|
| 8F7 | 03.09→ | 6 | 3.0 | CCWA | | 0 250 403 007 |
|-----|--------|---|-----|------|--|---------------|

A5 Coupe quattro

| | | | | | | |
|-----|--------|---|-----|------|--|---------------|
| 8T3 | 03.08→ | 6 | 3.0 | CCWA | | 0 250 403 007 |
|-----|--------|---|-----|------|--|---------------|

A6

| | | | | | | |
|---------|--------|---|-----|------|--|---------------|
| 4F2, C6 | 10.08→ | 4 | 2.0 | CAHA | | 0 250 403 007 |
|---------|--------|---|-----|------|--|---------------|

A6 Avant

| | | | | | | |
|---------|---------------|---|-----|-----|--|---------------|
| 4BH, C5 | 05.00 - 05.03 | 6 | 2.5 | AKE | | 0 250 202 102 |
| 4FH, C6 | 05.06 - 10.08 | 6 | 3.0 | ASB | | 0 250 403 007 |

A6 Quattro

| | | | | | | |
|---------|---------------|---|-----|------|--|---------------|
| 4F2, C6 | 04.04 - 05.06 | 6 | 3.0 | BMK | | 0 250 403 007 |
| | 06.06 - 10.08 | 6 | 3.0 | ASB | | 0 250 403 007 |
| | 10.08→ | 6 | 3.0 | CDYA | | 0 250 403 007 |

| | Fitment Date | Cyl. | /Accm | Type | No. | | | |
|---------------------------------|---------------|------|-------|---------------------|-----|--|--|----------------------|
| 4F2, C6 | 10.08→ | 6 | 3.0 | CDYC | | | | 0 250 403 007 |
| A6 Quattro Avant | | | | | | | | |
| 4BH, C5 | 06.03 - 08.05 | 6 | 2.5 | BAU | | | | 0 250 202 102 |
| A6 2.7 TDI Avant Allroad | | | | | | | | |
| 4FH, C6 | 10.08→ | 6 | 2.7 | CANC | | | | 0 250 403 007 |
| A8 Quattro | | | | | | | | |
| 4E, D3 | 01.04→ | 6 | 3.0 | ASB | | | | 0 250 403 007 |
| | 07.05→ | 8 | 4.2 | BVN | | | | 0 250 403 007 |
| Q5 2.0 TDI | | | | | | | | |
| 8RB | 11.08→ | 4 | 2.0 | CAHA | | | | 0 250 403 007 |
| Q5 3.0 TDI | | | | | | | | |
| 8RB | 11.08→ | 6 | 3.0 | CCWA | | | | 0 250 403 007 |
| Q7 | | | | | | | | |
| 4LB | 08.06 - 09.07 | 6 | 3.0 | BUG | | | | 0 250 403 007 |
| | 03.07 - 06.09 | 8 | 4.2 | BTR | | | | 0 250 403 007 |
| Q7 6.0 TDI | | | | | | | | |
| 4LB | 06.08→ | 12 | 6.0 | CCGA | | | | 0 250 403 007 |
| 80 | | | | | | | | |
| 8C2, B4 | 09.91 - 05.95 | 4 | 1.9 | AAZ | | | | 0 250 201 032 |
| BMW | | | | | | | | |
| X 3 xDrive 20 d | | | | | | | | |
| E 83 | 09.08→ | 4 | 2.0 | N47 D20A | | | | 0 250 603 006 |
| X 3 xDrive 30 d | | | | | | | | |
| E 83 | 09.08→ | 6 | 3.0 | 30 6D 3 <M 57N2> | | | | 0 250 402 002 |
| X 3 xDrive 35 d | | | | | | | | |
| E 83 | 09.08→ | 6 | 3.0 | 30 6D 5 | | | | 0 250 402 002 |
| X 5 xDrive 30 d | | | | | | | | |
| E 70 | 10.08→ | 6 | 3.0 | 30 6D 3 <M 57N2> | | | | 0 250 402 002 |
| X 5 xDrive 35 d | | | | | | | | |
| E 70 | 10.08→ | 6 | 3.0 | 30 6D 5 | | | | 0 250 603 009 |
| X3 | | | | | | | | |
| E 83 | 10.04 - 09.07 | 4 | 2.0 | 20 4D 4 <M 47N> | | | | 0 250 402 002 |
| | 09.05 - 08.08 | 6 | 3.0 | 30 6D 3 <M 57N2> | | | | 0 250 402 002 |
| | 09.07 - 08.08 | 4 | 2.0 | N47 D20A | | | | 0 250 603 006 |
| X5 | | | | | | | | |
| E 53 | 03.01 - 09.03 | 6 | 3.0 | 30 6D 1 <M 57 D 30> | | | | 0 250 202 103 |
| | 10.03 - 10.06 | 6 | 3.0 | 30 6D 2 <M 57N> | | | | 0 250 402 002 |
| E 70 | 03.07 - 09.08 | 6 | 3.0 | 30 6D 3 <M 57N2> | | | | 0 250 402 002 |
| | 10.07 - 09.08 | 6 | 3.0 | 30 6D 5 | | | | 0 250 402 002 |
| X6 | | | | | | | | |
| E 71 | 05.08→ | 6 | 3.0 | 30 6D 5 | | | | 0 250 402 002 |



◀ BMW

| 118 d Cabrio | | | | | | |
|---------------|---------------|---|-----|-------------------|--|---------------|
| E88 | 09.08→ | 4 | 2.0 | N47 D20... | | 0 250 603 006 |
| 118d | | | | | | |
| E87 | 03.07→ | 4 | 2.0 | N47 D20... | | 0 250 603 006 |
| 120d | | | | | | |
| E87 | 09.04 - 03.07 | 4 | 2.0 | 20 4D 4 <M 47N> | | 0 250 402 002 |
| | 03.07→ | 4 | 2.0 | N47 D20... | | 0 250 603 006 |
| 123 d | | | | | | |
| E87 | 09.07→ | 4 | 2.0 | N47 D20B | | 0 250 603 006 |
| 123 d Cabrio | | | | | | |
| E88 | 09.08→ | 4 | 2.0 | N47 D20B | | 0 250 603 006 |
| 300d | | | | | | |
| E90 | 09.08→ | 6 | 3.0 | N57 D30A | | 0 250 603 006 |
| 320 d Touring | | | | | | |
| E91 | 09.05 - 09.07 | 4 | 2.0 | 20 4D 4 <M 47N> | | 0 250 402 002 |
| | 09.07→ | 4 | 2.0 | N47 D20... | | 0 250 603 006 |
| 320d | | | | | | |
| E90 | 03.05 - 09.07 | 4 | 2.0 | 20 4D 4 <M 47N> | | 0 250 402 002 |
| | 09.07→ | 4 | 2.0 | N47 D20... | | 0 250 603 006 |
| 325 d | | | | | | |
| E90 | 09.06→ | 6 | 3.0 | 30 6D 3 <M 57N2> | | 0 250 402 002 |
| 330 d | | | | | | |
| E90 | 09.05 - 08.08 | 6 | 3.0 | 30 6D 3 <M 57N2> | | 0 250 402 002 |
| 335 d | | | | | | |
| E90 | 09.06→ | 6 | 3.0 | 30 6D 5 <M 57...> | | 0 250 402 002 |
| 335 d Coupe | | | | | | |
| E92 | 09.06→ | 6 | 3.0 | 30 6D 5 | | 0 250 402 002 |
| 335 d Touring | | | | | | |
| E91 | 09.06→ | 6 | 3.0 | 30 6D 5 | | 0 250 402 002 |
| 520d | | | | | | |
| E60 | 09.07→ | 4 | 2.0 | N47 D20... | | 0 250 603 006 |
| 525 xd | | | | | | |
| E60 | 09.07 - 08.08 | 6 | 3.0 | 30 6D 3 <M 57N2> | | 0 250 402 002 |
| 530d | | | | | | |
| E60 | 09.05→ | 6 | 3.0 | 30 6D 3 <M 57N2> | | 0 250 402 002 |
| 535 d | | | | | | |
| E60 | 03.07→ | 6 | 3.0 | 30 6D 5 | | 0 250 402 002 |
| 535 d Touring | | | | | | |
| E61 | 09.04 - 03.07 | 6 | 3.0 | 30 6D 4 | | 0 250 402 002 |
| 730 d | | | | | | |
| F01 | 11.08→ | 6 | 3.0 | N57 D30A | | 0 250 603 006 |



CITROEN

Berlingo

| | | | | | | |
|-----|---------------|---|-----|----------------|-------------|---------------|
| M59 | 09.05 - 02.06 | 4 | 1.6 | 9HW <DV6B> | Org. →10688 | 0 250 204 001 |
| | 03.06→ | 4 | 1.6 | 9HW <DV6B> | Org. 10689→ | 0 250 204 002 |
| B9 | 05.08→ | 4 | 1.6 | 9HX <DV6ATED4> | | 0 250 204 002 |

BX

| | | | | | | |
|-----|---------------|---|-----|--------------|--|---------------|
| X56 | 03.88 - 12.94 | 4 | 1.8 | A8A <XUD7TE> | | 0 250 201 039 |
|-----|---------------|---|-----|--------------|--|---------------|

C3

| | | | | | | |
|-----|---------------|---|-----|----------------|-------------|---------------|
| A31 | 09.05 - 02.06 | 4 | 1.6 | 9HX <DV6ATED4> | Org. →10688 | 0 250 204 001 |
| | 03.06→ | 4 | 1.6 | 9HX <DV6ATED4> | Org. 10689→ | 0 250 204 002 |

C4

| | | | | | | |
|-----|---------------|---|-----|--------------------|-------------|---------------|
| B5 | 11.04 - 02.06 | 4 | 1.6 | 9HY/ 9HZ <DV6TED4> | Org. →10688 | 0 250 204 001 |
| | 11.04→ | 4 | 2.0 | RHR <DW10BTED4> | | 0 250 202 032 |
| | 03.06→ | 4 | 1.6 | 9HY/ 9HZ <DV6TED4> | Org. 10689→ | 0 250 204 002 |
| B58 | 10.06→ | 4 | 2.0 | RHR <DW10BTED4> | | 0 250 202 032 |
| | 02.07→ | 4 | 1.6 | 9HZ <DV6TED4> | | 0 250 204 002 |
| | | 4 | 2.0 | RHR <DW10BTED4> | | 0 250 202 032 |

C5

| | | | | | | |
|----|---------------|---|-----|----------------------|--|---------------|
| X4 | 03.01 - 09.04 | 4 | 2.0 | RHZ <DW10ATED> | | 0 250 202 032 |
| X3 | 10.04 - 09.05 | 4 | 2.2 | 4HX <DW12TED4> | | 0 250 202 032 |
| | 10.04 - 03.08 | 4 | 2.0 | RHR/ RHL <DW10BTED4> | | 0 250 202 032 |
| X7 | 04.08→ | 4 | 2.0 | RHR/RHF <DW10BTED4> | | 0 250 202 032 |

Dispatch

| | | | | | | |
|----|--------|---|-----|-----------------|--|---------------|
| G9 | 02.07→ | 4 | 2.0 | RHK <DW10UTED4> | | 0 250 202 032 |
|----|--------|---|-----|-----------------|--|---------------|

Saxo

| | | | | | | |
|----|---------------|---|-----|-------------|--|---------------|
| S8 | 07.96 - 09.03 | 4 | 1.5 | VJZ <TUD5L> | | 0 250 202 020 |
|----|---------------|---|-----|-------------|--|---------------|

Xantia

| | | | | | | |
|----|---------------|---|-----|------------------|--|---------------|
| X2 | 12.97 - 12.01 | 4 | 1.9 | DHX <XUD9BTF/L3> | | 0 250 201 042 |
|----|---------------|---|-----|------------------|--|---------------|

DAEWOO

Musso

| | | | | | | |
|----|---------------|---|-----|-------------------------|--|---------------|
| MJ | 07.93 - 12.00 | 5 | 2.9 | OM 662 D29 <OM 602.910> | | 0 250 201 041 |
| | | | | | | 0 250 201 047 |
| | 05.97 - 12.00 | 5 | 2.9 | OM662 D29 <MB-OM 602> | | 0 250 201 041 |
| | | | | | | 0 250 201 047 |

DAIHATSU

Charade

| | | | | | | |
|-------|---------------|---|-----|----|------------------------|---------|
| G101S | 01.87 - 01.93 | 3 | 1.0 | CL | Chassis G101S (MANUAL) | GPD-906 |
|-------|---------------|---|-----|----|------------------------|---------|

Delta Wide

| | | | | | | |
|-------|---------------|---|-----|-----|---------------|---------------|
| CB21G | 08.85 - 08.87 | 4 | 2.0 | 2CT | Chassis CB21G | GPD-903 |
| | 09.87 - 09.93 | 4 | 2.0 | 2CT | | 0 250 202 095 |
| | | | | | Chassis CB21G | GPT-222 |
| CB27V | 08.88 - 08.95 | 4 | 2.0 | 2C | | 0 250 202 095 |
| | | | | | Chassis CB27V | GPT-222 |
| CB22G | 09.93 - 09.96 | 4 | 2.2 | 3CT | Chassis CB22G | GPT-225 |



◀ DAIHATSU

| | | | | | | |
|--------------|---------------|---|-----|-----|---------------|----------------|
| CB31G | 10.94 - 09.96 | 4 | 2.2 | 3CT | Chassis CB31G | GPT-225 |
| CB27V | 09.95 - 09.96 | 4 | 2.0 | 2C | Chassis CB27V | GPT-233 |

| | | | | | | |
|-------------|---------------|---|-----|----|-------------|----------------|
| Scat | | | | | | |
| F5 | 08.78 - 08.80 | 4 | 2.5 | DG | Chassis F50 | GPT-208 |
| F6 | 10.82 - 03.84 | 4 | 2.8 | DL | Chassis F60 | GPD-903 |

FIAT

| | | | | | | |
|--------------|--------|---|-----|-------------------|--|----------------------|
| Punto | | | | | | |
| 199.. | 10.05→ | 4 | 1.3 | 199 A 3.000 <M72> | | 0 250 203 002 |
| | | | 1.9 | 939 A 1.000 <M88> | | 0 250 202 132 |
| | 01.06→ | 4 | 1.9 | 199 A 5.000 <M89> | | 0 250 202 132 |

| | | | | | | |
|--------------|--------|---|-----|-------------------|--|----------------------|
| Ritmo | | | | | | |
| 198 | 03.07→ | 4 | 1.9 | 192 A 8.000 <M88> | | 0 250 202 132 |
| | 04.07→ | 4 | 1.9 | 937 A 5.000 <M92> | | 0 250 203 001 |

| | | | | | | |
|--------------|--------|---|-----|----------|--|----------------------|
| Scudo | | | | | | |
| 272.. | 01.07→ | 4 | 2.0 | RHK <M5> | | 0 250 202 135 |

| | | | | | | |
|--------------|---------------|---|-----|------------------|--|----------------------|
| Tipo | | | | | | |
| 160.. | 07.87 - 03.93 | 4 | 1.9 | 160 A 6.000 <M3> | | 0 250 201 039 |

| | | | | | | |
|--------------|--------|---|-----|-------------------|--|----------------------|
| 500 | | | | | | |
| 150.. | 07.07→ | 4 | 1.3 | 169 A 1.000 <M73> | | 0 250 203 002 |

FORD

| | | | | | | |
|----------------|---------------|---|-----|---------------|--|------------------------------|
| Courier | | | | | | |
| | 01.80 - 12.84 | 4 | 2.2 | S2 <MAZDA S2> | | GPM-501 |
| PC | 06.85 - 08.93 | 4 | 2.2 | R2 | | GPM-502 |
| | 01.90 - 08.93 | 4 | 2.2 | R2 | | GPM-502 |
| | 09.93 - 04.95 | 4 | 2.2 | R2 | | GPM-511 |
| PC | 09.93 - 05.96 | 4 | 2.2 | R2 | | GPM-511 |
| | 09.93 - 12.96 | 4 | 2.2 | R2 | | GPM-511 |
| PD | 06.96 - 03.99 | 4 | 2.5 | WL | | GPM-513 0 250 202 089 |
| PE | 02.99 - 11.02 | 4 | 2.5 | WLAT | | GPM-513 0 250 202 089 |

| | | | | | | |
|-----------------|---------------|---|-----|----|--|----------------|
| Econovan | | | | | | |
| | 01.81 - 12.84 | 4 | 2.2 | S2 | | GPM-501 |

| | | | | | | |
|---------------|---------------|---|-----|---------------|--|----------------------|
| Escort | | | | | | |
| Mk V | 08.90 - 12.94 | 4 | 1.8 | RT... <D18NA> | | 0 250 202 001 |
| | | | | RTH <D18NA> | | 0 250 202 033 |
| | | | | | | 0 250 202 001 |
| | | | | | | 0 250 202 033 |
| | 06.93 - 12.94 | 4 | 1.8 | RF... <D18T> | | 0 250 202 001 |
| | | | | | | 0 250 202 033 |

| | | | | | | |
|------------------|---------------|---|-----|--|--|----------------------|
| Excursion | | | | | | |
| | 09.99 - 08.03 | 8 | 7.3 | | | 0 250 202 127 |

| | | | | | | |
|----------------------------------|--------|---|-----|------------|--|----------------------|
| Focus II 1.8 TDCi Turnier | | | | | | |
| 08 | 12.07→ | 4 | 1.8 | <Duratorq> | | 0 250 202 131 |



| | | | | | |
|-------------|---------------|---|-----|--|---------------|
| F250 | | | | | |
| | 09.00 - 08.03 | 8 | 7.3 | | 0 250 202 127 |

| | | | | | |
|-------------|---------------|---|-----|--|---------------|
| F350 | | | | | |
| | 09.00 - 08.03 | 8 | 7.3 | | 0 250 202 127 |

| | | | | | |
|-----------------|---------------|---|-----|------|---------------|
| Maverick | | | | | |
| 94 | 06.93 - 04.96 | 4 | 2.7 | TD27 | 0 250 202 093 |

| | | | | | |
|---------------|---------------|---|-----|----------------------------|---------------|
| Mondeo | | | | | |
| HC/HD/HE | 08.96 - 09.00 | 4 | 1.8 | RFN <D18TI/TCI, ENDURA-DE> | 0 250 201 049 |
| HC/HD | 11.97 - 12.98 | 4 | 1.8 | RFN <D18TI/TCI, ENDURA-DE> | 0 250 201 049 |

| | | | | | |
|---------------|---------------|---|-----|-------------|---------------|
| Ranger | | | | | |
| TK6 | 01.99 - 10.01 | 4 | 2.5 | WL <MD25NA> | 0 250 202 089 |

| | | | | | |
|-----------------|---------------|---|-----|----|---------------|
| Spectron | | | | | |
| | 01.88 - 12.98 | 4 | 2.0 | RF | 0 250 202 107 |

| | | | | | |
|---------------|---------------|---|-----|-----------|---------------|
| Trader | | | | | |
| | 01.79 - 12.84 | 4 | 3.0 | HA <T3.0> | 0 250 202 107 |
| | 10.80 - 12.95 | 0 | 4.1 | ZB <T4.1> | 0 250 202 107 |

| | | | | | |
|----------------|---------------|---|-----|----------------------|---------------|
| Transit | | | | | |
| | 03.72 - 05.84 | 4 | 2.4 | York <D24> | 0 250 102 002 |
| F_ | 01.00 - 07.06 | 4 | 2.4 | DOFA <PD24PP> | 0 250 202 130 |
| | | | | D2F... <PD24P> | 0 250 202 130 |
| | | | | D4FA <PD24> | 0 250 202 130 |
| | 03.04 - 07.06 | 4 | 2.4 | FXFA <DuraTorq DI> | 0 250 202 130 |
| | | | | H9FA <DuraTorq TDCi> | 0 250 202 130 |
| | | | | H9FA <DuraTorq TDCi> | 0 250 202 130 |
| | 04.06 → | 4 | 2.2 | QVFA <PD22> | 0 250 202 130 |
| | 07.06 → | 4 | 2.4 | H... <PD24> | 0 250 202 130 |

| | | | | | |
|--------------------------------|---------|---|-----|-------------|---------------|
| Transit FT 280 2.2 TDCi | | | | | |
| | 04.06 → | 4 | 2.2 | QVFA <PD22> | 0 250 202 130 |

| | | | | | |
|--------------------------------|---------|---|-----|-------------|---------------|
| Transit FT 350 2.4 TDCi | | | | | |
| | 07.06 → | 4 | 2.4 | H... <PD24> | 0 250 202 130 |

| | | | | | |
|--------------------------------|---------|---|-----|-------------|---------------|
| Transit FT 430 2.4 TDCi | | | | | |
| | 07.06 → | 4 | 2.4 | H... <PD24> | 0 250 202 130 |

| | | | | | |
|--------------------------------|---------|---|-----|-------------|---------------|
| Transit FT 460 2.4 TDCi | | | | | |
| | 07.06 → | 4 | 2.4 | H... <PD24> | 0 250 202 130 |

HOLDEN

| | | | | | |
|--------------|---------|---|-----|-----------------------|---------------|
| Astra | | | | | |
| AH | 06.06 → | 4 | 1.9 | Z19DTH <Turbo Ecotec> | 0 250 203 001 |

| | | | | | |
|---------------|---------------|---|-----|------|---------|
| Gemini | | | | | |
| TE | 02.81 - 03.82 | 4 | 1.8 | 4FB1 | GPI-005 |
| TF | 03.82 - 04.83 | 4 | 1.8 | 4FB1 | GPI-005 |
| TG | 04.83 - 05.85 | 4 | 1.8 | 4FB1 | GPI-005 |

| | | | | | |
|-----------------|---------------|---|-----|------|---------|
| Jackaroo | | | | | |
| UBS | 11.81 - 06.84 | 4 | 2.2 | C223 | GPI-005 |





◀ HOLDEN

| | | | | | | |
|---------------|---------------|---|-----|--------|---------------|----------------|
| UBS | 07.84 - 06.88 | 4 | 2.2 | C223T | Chassis UBS52 | GPI-005 |
| | 07.88 - 04.92 | 4 | 2.8 | 4JB1-T | | GPI-005 |
| | 05.92 - 06.95 | 4 | 3.1 | 4JG2 | Chassis UBS69 | GPI-014 |
| UBS II | 07.95 - 12.97 | 4 | 3.1 | 4JG2 | Chassis UBS69 | GPI-014 |

Rodeo

| | | | | | | |
|--------------|---------------|---|-----|-------|---------------|----------------|
| KBD41 | 01.81 - 12.82 | 4 | 1.9 | C190 | Chassis KBD41 | GPI-005 |
| KBD27 | 01.83 - 12.83 | 4 | 2.2 | C223 | Chassis KBD27 | GPI-005 |
| KBD42 | 01.83 - 07.87 | 4 | 2.2 | C223 | Chassis KBD42 | GPI-005 |
| TF | 04.90 - 03.03 | 4 | 2.8 | 4JB1T | | GPI-010 |
| | 12.01 - 02.03 | 4 | 3.0 | 4JB1T | | GPI-010 |

ISUZU

Bighorn

| | | | | | | |
|--|---------------|---|-----|-------|--|----------------|
| | 10.87 - 12.91 | 4 | 2.8 | 4JB1T | Chassis UBS55CK | GPI-010 |
| | 11.88 - 12.91 | 4 | 2.8 | 4JB1T | Chassis UBS55CW/UBS55FW, Chassis UBS55FWR | GPI-010 |
| | 08.92 - 03.98 | 4 | 3.1 | 4JG2 | Chassis UBS69DW/UBS69GW | GPI-014 |
| | 02.98 - 12.02 | 4 | 3.0 | 4JX1 | Chassis UBS73 | GPI-026 |

D-Max

| | | | | | | |
|--|--------|---|-----|---------|--|----------------|
| | 05.02→ | 4 | 3.0 | 4JH1-TC | | GPI-901 |
|--|--------|---|-----|---------|--|----------------|

Elf

| | | | | | | | |
|--|---------------|---|-----|------|---------------------------|----------------|----------------|
| | 07.84 - 07.89 | 4 | 3.3 | 4BC2 | Chassis NKR57 | GPI-021 | |
| | 07.88 - 06.93 | 4 | 2.5 | 4JA1 | Chassis NHR54C/NHR54E | GPI-010 | |
| | 07.88 - 12.93 | 4 | 2.8 | 4JB1 | Chassis NHR55 | GPI-010 | |
| | 05.90 - 04.99 | 4 | 4.3 | 4HF1 | Chassis NKR66 | GPI-021 | |
| | 05.93→ | 4 | 3.1 | 4JG2 | Chassis NHR69/NKR69/NHS69 | GPI-014 | |
| | 07.93 - 04.95 | | | | 4BE1 | Chassis NKR58 | GPI-021 |
| | | | | | 4BE2 | Chassis NKR63 | GPI-021 |
| | 03.95→ | 4 | 3.1 | 4JG2 | Chassis NHS69 | GPI-014 | |
| | 04.99 - 05.04 | 4 | 4.3 | 4HF1 | Chassis NKR66 | GPI-021 | |
| | 02.00 - 05.04 | 4 | 5.0 | 4HJ1 | Chassis NPR72/NPS72 | GPI-900 | |
| | 05.02→ | 4 | 4.8 | 4HL1 | Chassis NKR81 | GPI-900 | |
| | 06.02→ | 4 | 4.8 | 4HL1 | Chassis NKS81 | GPI-900 | |

Fargo

| | | | | | | |
|--|---------------|---|-----|------|--------------------------|----------------|
| | 08.90 - 06.94 | 4 | 2.4 | 4FG1 | Chassis NFR62DT | GPI-014 |
| | 08.90 - 08.95 | | | | Chassis WFR62DV/WFR62FV | GPI-014 |
| | | | | | Chassis WFS62DV/WFS62FVH | GPI-014 |

Faster

| | | | | | | |
|--|---------------|---|-----|-------|-----------------------|----------------|
| | 09.89 - 12.93 | 4 | 2.8 | 4JB1T | Chassis TFS55F/TFS55H | GPI-010 |
|--|---------------|---|-----|-------|-----------------------|----------------|

Gemini

| | | | | | | |
|--|---------------|---|-----|-------|----------------|----------------------|
| | 11.85 - 11.88 | 4 | 1.5 | 4EC1T | | 0 250 202 086 |
| | 12.88 - 02.90 | 4 | 1.5 | 4EC1T | Chassis JT600 | GPI-016 |
| | 02.90 - 09.93 | 4 | 1.7 | 4EE1T | Chassis JT641F | GPI-014 |

Mu

| | | | | | | |
|--|---------------|---|-----|-------|------------------|----------------|
| | 07.90 - 10.93 | 4 | 2.8 | 4JB1T | Chassis UCS55 | GPI-010 |
| | 10.93 - 07.98 | 4 | 3.1 | 4JG2 | Chassis UCS69DWM | GPI-014 |
| | 05.98 - 07.01 | 4 | 3.0 | 4JX1 | Chassis UES73 | GPI-026 |

NKR

| | | | | | | |
|--|---------------|---|-----|------|---------------|----------------|
| | 02.86 - 12.96 | 4 | 3.3 | 4BC2 | Chassis NKR57 | GPI-021 |
| | 03.96→ | 4 | 3.1 | 4JG2 | Chassis NKR69 | GPI-014 |



| NPR | | | | | | |
|-----|---------------|---|-----|-------|---------------|---------|
| | 01.81 - 12.91 | 4 | 3.9 | 4BD1 | Chassis NPR59 | GPI-021 |
| | 10.86 - 12.96 | 4 | 3.9 | 4BD1T | Chassis NPR59 | GPI-021 |

| Rodeo | | | | | | |
|-------|---------------|---|-----|-------|-----------------------|---------|
| | 09.89 - 12.93 | 4 | 2.8 | 4JB1T | Chassis TFS55F/TFS55H | GPI-010 |

| TL, TLD 2.8 Diesel | | | | | | |
|--------------------|---------------|---|-----|------|---------------------|---------|
| | 02.80 - 06.84 | 4 | 2.8 | 4BA1 | Chassis TLD44/TLD54 | GPI-009 |

| Wizard | | | | | | |
|--------|---------------|---|-----|------|---------------|---------|
| | 05.98 - 12.02 | 4 | 3.0 | 4JX1 | Chassis UES73 | GPI-026 |

JAGUAR

| S-Type | | | | | | |
|--------|---------------|---|-----|--|--|---------------|
| CCX | 06.04 - 03.08 | 6 | 2.7 | | | 0 250 203 004 |

| XF | | | | | | |
|----|---------------|---|-----|--|--|---------------|
| | 03.08 - 02.09 | 6 | 2.7 | | | 0 250 203 004 |

| XJ6 | | | | | | |
|-----|--------|---|-----|--|--|---------------|
| | 10.05→ | 6 | 2.7 | | | 0 250 203 004 |

JEEP

| Cherokee | | | | | | |
|----------|---------------|---|-----|---------------------------|--|---------------|
| XJ | 01.97 - 12.01 | 4 | 2.5 | ENC,ENO <VM HR 425 CLIRX> | | 0 250 202 023 |
| KJ | 03.01 - 12.04 | 4 | 2.5 | ENJ, ENO | | 0 250 202 038 |
| | 03.03 - 12.04 | 4 | 2.8 | ENR <T> | | 0 250 202 038 |

| Grand Cherokee | | | | | | |
|----------------|---------------|---|-----|-----|--|---------------|
| WG | 10.01 - 12.04 | 5 | 2.7 | ENF | | 0 250 202 045 |
| WH | 03.05→ | 6 | 3.0 | EXL | | 0 250 403 006 |

KIA

| K 2700 | | | | | | |
|--------|---------------|---|-----|----|--|---------------|
| SD | 04.98 - 07.04 | 4 | 2.7 | J2 | | 0 250 202 089 |
| | 08.04→ | 4 | 2.7 | J2 | | 0 250 312 007 |

| Pregio | | | | | | |
|--------|--------|---|-----|----|--|---------------|
| TB | 02.97→ | 4 | 2.7 | J2 | | 0 250 202 089 |

| Sorento | | | | | | |
|---------|---------------|---|-----|------|--|---------|
| JC | 03.06 - 08.09 | 4 | 2.5 | D4CB | | GPK-901 |

| Sportage | | | | | | |
|----------|---------------|---|-----|--------|--|---------|
| | 01.06 - 07.08 | 4 | 2.0 | D4EA-V | | GPK-900 |

| Sportage New | | | | | | |
|--------------|---------------|---|-----|--------|--|---------|
| | 01.06 - 07.08 | 4 | 2.0 | D4EA-V | | GPK-900 |



LAND ROVER GROUP

Defender

| | | | | | | |
|--|---------------|---|-----|--------------------------------------|--|----------------------|
| | 08.90 - 12.01 | 4 | 2.5 | Gemini TCI D.I. 23L <200/300 Tdi> | | 0 250 202 040 |
|--|---------------|---|-----|--------------------------------------|--|----------------------|

| | | | | | | |
|-------------------|---------------|---|-----|--------------------------------------|--|----------------------|
| Series 110 | 08.90 - 12.01 | 4 | 2.5 | Gemini TCI D.I. 23L <200/300 Tdi> | | 0 250 202 040 |
|-------------------|---------------|---|-----|--------------------------------------|--|----------------------|

Discovery

| | | | | | | |
|--|---------------|---|-----|------------------------|--|----------------------|
| | 09.89 - 09.94 | 4 | 2.5 | 12L,21L <200-Gemini-2> | | 0 250 202 040 |
| | 10.93 - 12.98 | 4 | 2.5 | 19L 21L <300 Gemini> | | 0 250 202 040 |

Freelander

| | | | | | | |
|--|---------------|---|-----|------------------------|--|----------------------|
| | 09.97 - 09.03 | 4 | 2.0 | TCie 17N,18N <L-Serie> | | 0 250 202 025 |
| | 09.01 - 03.07 | 4 | 2.0 | M47 | | 0 250 202 103 |

Range Rover

| | | | | | | |
|--|---------------|---|-----|---------|----------------------|----------------------|
| | 04.86 - 12.90 | 4 | 2.4 | VM-81A | Chassis CA→HA 610293 | 0 250 201 034 |
| | 03.02 - 09.06 | 6 | 2.9 | M57 D30 | | 0 250 202 103 |

MAZDA

Bongo

| | | | | | | |
|--|---------------|---|-----|----|---------------------|----------------|
| | 11.86 - 02.90 | 4 | 2.2 | R2 | Chassis SS28R | GPM-502 |
| | 09.87 - 07.93 | 4 | 2.2 | R2 | Chassis SE28M | GPM-502 |
| | | | | | Chassis SR2AV | GPM-502 |
| | 09.87 - 08.93 | 4 | 2.0 | RF | Chassis SSF8V | GPM-502 |
| | 08.93 - 09.96 | 4 | 2.2 | R2 | Chassis SE28M | GPM-511 |
| | | | | | Chassis SS28V | GPM-511 |
| | 08.93 - 05.97 | 4 | 2.2 | R2 | Chassis SR2AV | GPM-511 |
| | 09.96 - 05.99 | 4 | 2.2 | R2 | Chassis SS28M | GPM-511 |
| | | | | | Chassis SS28V | GPM-511 |
| | 04.97 - 06.99 | 4 | 2.5 | WL | Chassis SD59M/SD5AM | GPM-515 |
| | | | | | Chassis SD59T/SD5AT | GPM-515 |
| | 05.99 - 12.03 | 4 | 2.2 | R2 | Chassis SK22L | GPM-515 |
| | | | | | Chassis SK22M | GPM-515 |
| | | | | | Chassis SK22T | GPM-515 |
| | | | | | Chassis SK22V | GPM-515 |
| | 06.99 - 10.00 | 4 | 2.2 | R2 | Chassis SK24L/SK26L | GPM-515 |
| | | | | | Chassis SK24T/SK26T | GPM-515 |
| | | | 2.5 | WL | Chassis SK54L/SK56L | GPM-515 |
| | | | | | Chassis SK54T/SK56T | GPM-515 |

Bongo Brawny Van

| | | | | | | |
|--|---------------|---|-----|----|---------------|----------------|
| | 09.87 - 07.93 | 4 | 2.2 | R2 | Chassis SR2AM | GPM-502 |
| | 08.93 - 05.97 | 4 | 2.2 | R2 | Chassis SR2AM | GPM-511 |

Bongo Friendee

| | | | | | | |
|--|---------------|---|-----|-----|-------------------|----------------------|
| | 11.97 - 09.99 | 4 | 2.5 | WLT | | 0 250 202 089 |
| | | | | | Chassis SGL3/SGLW | GPM-513 |
| | | | | | Chassis SGL5/SGLR | GPM-513 |
| | 09.99 - 11.05 | 4 | 2.5 | WLT | Chassis SGL3/SGLW | GPM-515 |
| | | | | | Chassis SGL5/SGLR | GPM-515 |

Bongo Truck

| | | | | | | |
|--|---------------|---|-----|----|---------------|----------------|
| | 09.87 - 08.93 | 4 | 2.0 | RF | Chassis SEF8T | GPM-502 |
| | 09.93 - 09.96 | 4 | 2.2 | R2 | Chassis SE28T | GPM-511 |



Bongo Van

| | | | | | |
|---------------|---|-----|----|---------------|----------------|
| 09.87 - 07.93 | 4 | 2.2 | R2 | Chassis SS28M | GPM-502 |
| 08.93 - 09.96 | 4 | 2.2 | R2 | Chassis SS28M | GPM-511 |

B2200

| | | | | | |
|---------------|---|-----|----|---------------------|----------------|
| 09.87 - 07.93 | 4 | 2.2 | R2 | Chassis SD2AT | GPM-502 |
| | | | | Chassis SD29M/SD2AM | GPM-502 |
| | | | | Chassis SD29T | GPM-502 |
| | | | | Chassis SR29V | GPM-502 |
| 08.93 - 09.95 | 4 | 2.2 | R2 | Chassis SD29T | GPM-511 |
| 08.93 - 05.97 | 4 | 2.2 | R2 | Chassis SD2AT | GPM-511 |
| | | | | Chassis SD29M/SD2AM | GPM-511 |
| | | | | Chassis SR29V | GPM-511 |

B2500

| | | | | | |
|-----------|---------------|---|-----|------|----------------|
| UF | 03.96 - 05.99 | 4 | 2.5 | WL | GPM-515 |
| | 09.97 - 09.99 | 4 | 2.5 | WL-T | GPM-513 |
| UN | 02.99 - 03.06 | 4 | 2.5 | WLT | GPM-515 |
| | 02.99 - 11.06 | 4 | 2.5 | WLT | GPM-515 |

Capella

| | | | | | |
|---------------|---|-----|----|--------------|----------------------|
| 07.87 - 10.91 | 4 | 2.0 | RF | Chassis GDFP | GPM-504 |
| 07.87 - 01.92 | 4 | 2.0 | RF | | 0 250 202 089 |
| 09.92 - 10.94 | 4 | 2.0 | RF | Chassis GVFW | GPM-510 |

Capella Van

| | | | | | |
|---------------|---|-----|----|--------------|----------------|
| 08.92 - 10.94 | 4 | 2.0 | RF | Chassis GVFR | GPM-510 |
| 09.92 - 04.99 | 4 | 2.0 | RF | Chassis GVFV | GPM-510 |

Capella Wagon

| | | | | | |
|---------------|---|-----|----|--------------|----------------|
| 10.94 - 10.97 | 4 | 2.0 | RF | Chassis GVFR | GPM-510 |
| | | | | Chassis GVFW | GPM-510 |

Cronos

| | | | | | |
|---------------|---|-----|----|--------------|----------------|
| 04.92 - 04.96 | 4 | 2.0 | RF | Chassis GEFP | GPM-510 |
|---------------|---|-----|----|--------------|----------------|

E2000

| | | | | | |
|---------------|---|-----|-----|---------------|----------------|
| 11.86 - 08.93 | 4 | 2.0 | RFT | Chassis SSF8W | GPM-502 |
| 09.87 - 07.93 | 4 | 2.0 | RFT | Chassis SRF9W | GPM-502 |
| 08.93 - 09.95 | 4 | 2.0 | RFT | Chassis SRF9W | GPM-511 |
| | | | | Chassis SSF8R | GPM-511 |
| | | | | Chassis SSF8W | GPM-511 |
| 08.95 - 05.99 | 4 | 2.0 | RFT | Chassis SSF8W | GPM-517 |
| 09.95 - 05.99 | 4 | 2.0 | RFT | Chassis SSF8R | GPM-517 |

E2200

| | | | | | |
|--------------|---------------|---|-----|------|----------------------|
| Bongo | 02.83 - 12.83 | 4 | 2.2 | R2 | GPM-502 |
| | 02.84 - 08.88 | 4 | 2.2 | R2 | GPM-502 |
| | 07.89 - 04.97 | 4 | 2.2 | R293 | 0 250 202 007 |
| | | | | R296 | 0 250 202 007 |

E2500

| | | | | | |
|---------------|---|-----|----|---------------------------|----------------|
| 04.97 - 06.99 | 4 | 2.5 | WL | Chassis SR5AM | GPM-515 |
| | | | | Chassis SR59V/SR5AV | GPM-515 |
| 06.99 - 11.04 | 4 | 2.5 | WL | Chassis SK54V/SK56V/SK5HV | GPM-515 |
| | | | | Chassis SK56M/SK5HM | GPM-515 |





◀ MAZDA

| Familia | | | | | | |
|-----------------|---------------|-----|-------|---------------------|-----------------|--------------------|
| 08.94 - 05.97 | 4 | 1.7 | CD17 | | | 0 250 312 001 |
| | | | | Chassis BVSNY10 | GPN-330 | 0 250 312 003 |
| | | | | Chassis BVSY10 | GPN-330 | 0 250 312 003 |
| 08.94 - 04.99 | 4 | 2.0 | CD20 | | | 0 250 312 002 |
| | | | | Chassis BWEY10 | GPN-331 | |
| 09.94 - 05.98 | 4 | 1.7 | 4EE1T | Chassis BHA7R | | 0 250 312 003 |
| 09.94 - 09.98 | 4 | 1.7 | 4EE1T | Chassis BHA7P | | 0 250 312 003 |
| 04.98 - 10.00 | 4 | 2.0 | RF | Chassis BJEP | GPM-515 | |
| Familia Van | | | | | | |
| 05.97 - 04.99 | 4 | 2.0 | CD20 | | | 0 250 312 002 |
| | | | | Chassis BVENY10 | GPN-331 | |
| | | | | Chassis BVEY10 | GPN-331 | |
| J80 | | | | | | |
| 09.83 - 09.95 | 4 | 2.0 | RF | Chassis SSF8VF | GPM-502 | |
| MPV | | | | | | |
| 10.95 - 05.99 | 4 | 2.5 | WLT | | | 0 250 202 089 |
| | | | | Chassis LVLR | GPM-513 | |
| | | | | Chassis LVLW | GPM-513 | |
| MS6 | | | | | | |
| 06.93 - 07.94 | 4 | 2.0 | RF | Chassis GEFP | GPM-510 | |
| Proceed Levante | | | | | | |
| 01.95 - 11.97 | 4 | 2.0 | RF | Chassis TF31W | GPM-510 | |
| Proceed Marvie | | | | | | |
| 02.96 - 02.99 | 4 | 2.5 | WLT | | | 0 250 202 089 |
| | | | | Chassis UVL6R | GPM-513 | |
| Telstar | | | | | | |
| 04.92 - 10.95 | 4 | 2.0 | RFCX | Chassis GEFPF | GPM-510 | |
| Titan | | | | | | |
| 01.84 - 05.95 | 4 | 3.0 | HA | Chassis WEFAT/WEFAD | GPM-503 | |
| 02.87 - 01.92 | 4 | 2.5 | XA | Chassis WE5AT/WG5AT | 12V 24V | GPM-502 GPM-503 |
| 01.92 - 05.95 | 4 | 3.0 | HA | Chassis WGFAT | | GPM-516 |
| 05.95 - 04.99 | 4 | 4.3 | 4HF1 | Chassis WG3AM/WG3AN | | GPI-021 |
| | | | | Chassis WG3AT/WG3AD | | GPI-021 |
| | | 4.6 | 4HG1 | Chassis WG6AD | | GPI-021 |
| 05.95 - 05.00 | 4 | 3.0 | VS | Chassis WGSAT | | GPM-516 |
| 04.99 - 05.00 | 4 | 4.3 | 4HF1 | Chassis WG3AM/WG3AN | | GPI-021 |
| | | | | Chassis WG3AT/WG3AD | | GPI-021 |
| | | 4.6 | 4HG1 | Chassis WG6AD/WG6AK | | GPI-021 |
| 3 Hatchback | | | | | | |
| BK | 12.03 - 12.08 | 4 | 1.6 | Y6 | Chassis →605425 | 0 250 204 001 |
| 626 | | | | | | |
| GC | 12.82 - 08.85 | 4 | 2.0 | RF | | 0 250 202 007 |
| GD | 07.87 - 08.89 | 4 | 2.0 | RF | | 0 250 202 089 |





MERCEDES-BENZ

B180

W245 04.05→ 4 2.0 OM 640.940 <DE 20 LA> **0 250 403 006**

CLS 320 CDI Coupe

W219 05.05 - 04.09 6 3.0 OM 642.920 <D 30> SCN **0 250 403 006**

C220

W203 05.00 - 02.03 4 2.2 OM 611.962 <DE LA> **0 250 202 045**

03.03 - 02.07 4 2.2 OM 646.963 <DE 22 LA> **0 250 202 045**

C250

W202 05.93 - 08.95 5 2.5 OM 605.910 Eng. →..006999 **0 250 201 035**

Auto

Eng. →..034154 **0 250 201 035**

Manual

Eng. ..007000→ **0 250 201 038**

Auto

09.95 - 04.00 5 2.5 OM 605.960 <AD 25 LA> **0 250 201 038**

C320

W204 06.07 - 04.09 6 3.0 OM 642.960 <D 30> **0 250 403 006**

E270

W210 06.99 - 03.02 5 2.7 OM 612.961 <DE LA> Eng. →30 006560 **0 250 202 029**

Eng. 30 006561→ **0 250 202 045**

W211 03.02 - 03.05 5 2.7 OM 647.961 <DE 27 LA> **0 250 202 045**

E280

W211 04.05 - 03.09 6 3.0 OM 642.920 <D 30> **0 250 403 006**

E280 T-Model

W211 04.05 - 08.09 6 3.0 OM 642.920 <D 30> **0 250 403 006**

E300

W124 07.93 - 06.95 6 3.0 OM 606.910 **0 250 201 035**

W210 03.97 - 05.99 6 3.0 OM 606.962 <D30 LA> **0 250 201 038**

GL320

W164 02.06→ 6 3.0 OM 642.940 <D 30> **0 250 403 006**

MB100

01.96→ 4 2.3 OM 661.911 **0 250 201 041**

0 250 201 047

5 2.9 OM 662.911 **0 250 201 041**

0 250 201 047

ML270

W163 11.99 - 06.05 5 2.7 OM 612.963 <DE LA> Eng. →30 006560 **0 250 202 029**

Eng. 30 006561→ **0 250 202 045**

ML280

W164 07.05→ 6 3.0 OM 642.940 <D 30> **0 250 403 006**

ML320

W164 07.05→ 6 3.0 OM 642.940 <D 30> **0 250 403 006**





◀ MERCEDES-BENZ

| R280 | | | | | | |
|---------------|---------------|-----|--------------------------------|---|---|-----------------------|
| W251 | 04.06→ | 6 | 3.0 | OM 642.950 <D 30> | | 0 250 403 006 |
| R320 | | | | | | |
| W251 | 09.05 - 05.07 | 6 | 3.0 | OM 642.950 <D 30> | | 0 250 403 006 |
| Sprinter | | | | | | |
| WT1N | 02.95 - 03.00 | 4 | 2.3 | OM 601.943 | | 0 250 201 041 |
| | | | | | | 0 250 201 047 |
| | 04.00 - 05.06 | 4 | 2.2 | OM 602.980 DE LA | Eng. ..000137→ Auto | 0 250 202 026 |
| | | | | | Eng. ..009850→ Manual | 0 250 202 026 |
| | | | | | Eng. →30 161510, →50 055542 | 0 250 202 029 |
| | | | | | Eng. 30 161511→, 40 000001→, 50 055543→ | 0 250 202 045 |
| | 08.02 - 05.06 | 4 | 2.1 | OM 611.987 DE LA | Eng. →30 161510, →50 055542 | 0 250 202 029 |
| | | | | | Eng. 30 161511→, 50 055543→ | 0 250 202 045 |
| | | | | | Eng. →30 161510, →50 055542 | 0 250 202 045 |
| | | | | | Eng. 30 161511→, 40 000001→, 50 055543→ | 0 250 202 045 |
| 08.02 - 05.06 | 4 | 2.2 | OM 612.981 DE LA | | 0 250 202 045 | |
| | | | OM 611.981 DE LA | Eng. →30 161510, →50 055542 | 0 250 202 029 | |
| | | | | Eng. 30 161511→, 40 000001→, 50 055543→ | 0 250 202 045 | |
| | | | | Eng. →30 161510, →50 055542 | 0 250 202 029 | |
| 08.02 - 05.06 | 4 | 2.1 | OM 611.981 DE LA | Eng. →30 161510, →50 055542 | 0 250 202 045 | |
| | | | | Eng. 30 161511→, 40 000001→, 50 055543→ | 0 250 202 045 | |
| | | | | Eng. →30 161510, →50 055542 | 0 250 202 029 | |
| | | | | Eng. 30 161511→, 40 000001→, 50 055543→ | 0 250 202 045 | |
| WNCV3 | | | | | | |
| WNCV3 | 04.06→ | 4 | 2.1 | OM 646.9... DE 22 LA <Euro 4> | | 0 250 202 045 |
| | | | | OM 646.984 DE 22 LA <Euro 4> | | 0 250 202 045 |
| | | | | OM 646.985 DE 22 LA <Euro 4> | | 0 250 202 045 |
| | | | | 6 | 3.0 | OM 642.99... <Euro 4> |
| S320 | | | | | | |
| W221 | 12.05 - 04.09 | 6 | 3.0 | OM 642.930 <D 30> | | 0 250 403 006 |
| Viano | | | | | | |
| W639 TON | 09.03→ | 4 | 2.1 | OM 646.982 <OM 646 DE22LA (MOC3)> | | 0 250 202 045 |
| Vito | | | | | | |
| W638 TON | 11.95 - 09.03 | 4 | 2.3 | OM 601.942 | | 0 250 201 041 |
| | | | | | | 0 250 201 047 |
| | | | | | | 0 250 201 041 |
| | 04.99 - 09.03 | 4 | 2.2 | OM 601.970 | | 0 250 201 047 |
| | | | | | | 0 250 201 047 |
| | | | | OM 611.980 | Eng. →30 161510, →50 055542 | 0 250 202 029 |
| | | | Eng. 30 161511→, 50 055543→ | 0 250 202 045 | | |
| W639 TON | | | | | | |
| W639 TON | 10.03 - 10.06 | 4 | 2.1 | OM 646.983 <OM 646 DE22LA> | | 0 250 202 045 |
| | 10.03→ | 4 | 2.1 | OM 646.982 <OM 646 DE22LA> | | 0 250 202 045 |
| | 04.06→ | 6 | 3.0 | 642.990 <OM 642 DE30LA> | | 0 250 403 006 |
| | 11.06→ | 4 | 2.1 | OM 646.980 <OM 646 DE22LA> | | 0 250 202 045 |
| | | | | OM 646.981 <OM 646 DE22LA> | | 0 250 202 045 |





190D

| | | | | | | |
|-------------|---------------|---|-----|------------|---------------------------|----------------------|
| W201 | 09.85 - 08.93 | 5 | 2.5 | OM 602.911 | Eng. →..014526→ Auto | 0 250 201 041 |
| | | | | | Eng. →..071587→ Manual | 0 250 201 041 |

190Db

| | | | | | | |
|-------------|---------------|---|-----|----------|--|----------------------|
| W121 | 08.59 - 07.61 | 4 | 2.0 | OM 621.I | | 0 250 001 016 |
|-------------|---------------|---|-----|----------|--|----------------------|

190Dc

| | | | | | | |
|-------------|---------------|---|-----|---------------------|--|----------------------|
| W110 | 06.61 - 08.65 | 4 | 2.0 | OM 621.III, 621.912 | | 0 250 001 016 |
|-------------|---------------|---|-----|---------------------|--|----------------------|

200D

| | | | | | | |
|-------------|---------------|---|-----|----------------------|--|----------------------|
| W110 | 07.65 - 12.67 | 4 | 2.0 | OM 621.VIII, 621.918 | | 0 250 001 016 |
|-------------|---------------|---|-----|----------------------|--|----------------------|

220D

| | | | | | | |
|-------------|---------------|---|-----|------------|--|----------------------|
| W115 | 01.68 - 01.77 | 4 | 2.2 | OM 615.912 | | 0 250 001 016 |
|-------------|---------------|---|-----|------------|--|----------------------|

240D

| | | | | | | |
|-------------|---------------|---|-----|------------|--|----------------------|
| W115 | 07.73 - 01.77 | 4 | 2.4 | OM 616.916 | | 0 250 001 016 |
| W123 | 02.76 - 07.80 | 4 | 2.4 | OM 616.912 | | 0 250 001 016 |
| | 08.80 - 11.85 | 4 | 2.4 | OM 616.912 | | 0 250 201 039 |

300D

| | | | | | | |
|-------------|---------------|---|-----|------------|--------------------------|----------------------|
| W123 | 02.76 - 11.85 | 5 | 3.0 | OM 617.912 | Eng. →..113990 Auto | 0 250 001 016 |
| | | | | | Eng. →..125941 Manual | 0 250 001 016 |

300GD

| | | | | | | |
|-------------|---------------|---|-----|------------|--------------------------|----------------------|
| W460 | 12.79 - 08.91 | 5 | 3.0 | OM 617.931 | Eng. →..113990 Auto | 0 250 001 016 |
| | | | | | Eng. →..125941 Manual | 0 250 001 016 |

300TD

| | | | | | | |
|-------------|---------------|---|-----|------------|--------------------------|----------------------|
| W123 | 02.76 - 11.85 | 5 | 3.0 | OM 617.912 | Eng. →..113990 Auto | 0 250 001 016 |
| | | | | | Eng. →..125941 Manual | 0 250 001 016 |

413 CDI Sprinter

| | | | | | | |
|--|--------|---|-----|-----------|--|----------------------|
| | 06.01→ | 4 | 2.2 | OM 611 LA | | 0 250 202 045 |
|--|--------|---|-----|-----------|--|----------------------|

MITSUBISHI

Canter

| | | | | | | |
|-----------|---------------|---|-----|------|---------------------|-------------------------------------|
| | 10.85 - 10.89 | 4 | 2.7 | 4DR5 | Chassis FB300 | GPF-116 |
| | 10.85 - 10.93 | 4 | 3.3 | 4D30 | Chassis FE301/FE311 | GPM-900 |
| FB | 01.86 - 01.90 | 4 | 2.3 | 4D55 | | GPF-112 0 250 202 094 |
| | 01.86 - 03.93 | 4 | 2.5 | 4D56 | | 0 250 202 094 |
| | 01.86 - 05.93 | 4 | 2.5 | 4D56 | | GPF-112 |
| | 01.90 - 10.93 | 4 | 2.8 | 4DR7 | Chassis FB308B | GPM-900 |
| | | | 3.6 | 4D32 | Chassis FE305/FE315 | GPF-124 |
| | | | 4.2 | 4D33 | Chassis FE317 | GPF-124 |
| | 09.92 - 10.93 | 4 | 2.8 | 4DR7 | Chassis FD378B | GPM-900 |
| FB | 04.93 - 05.93 | 4 | 2.5 | 4D56 | | 0 250 312 007 |
| | 06.93 - 09.96 | 4 | 2.5 | 4D56 | | GPF-117 |
| | 11.93 - 08.94 | 4 | 2.8 | 4M40 | Chassis FB501/FB511 | GPF-119 |





◀ MITSUBISHI

| | | | | | | |
|-----------|---------------|---|-----|------|---------------------|----------------------|
| | 09.94 - 05.99 | 4 | 2.8 | 4M40 | | 0 250 202 121 |
| | | | | | Chassis FB501/FB511 | GPM-902 |
| | 01.95 - 04.99 | 4 | 3.6 | 4D36 | Chassis FE516 | GPF-124 |
| FE | 05.98 - 10.00 | 4 | 2.8 | 4M40 | | 0 250 202 121 |
| | | | | | Chassis FE531 | GPM-902 |

Challenger

| | | | | | | |
|--|---------------|---|-----|-------|---------------|----------------------|
| | 05.96 - 05.99 | 4 | 2.8 | 4M40T | | 0 250 202 121 |
| | | | | | Chassis K97WG | GPM-902 |

Chariot

| | | | | | | |
|--|---------------|---|-----|-------|-------------------|----------------|
| | 09.87 - 05.91 | 4 | 1.8 | 4D65 | Chassis D09W | GPF-133 |
| | 06.92 - 10.97 | 4 | 2.0 | 4D68T | Chassis N38W/N48W | GPF-133 |
| | 01.94 - 10.97 | 4 | 2.0 | 4D68T | Chassis N38W/N48W | GPF-117 |

Delica

| | | | | | | |
|--|---------------|---|-----|-------|--|--|
| | 04.86 - 05.93 | 4 | 2.5 | 4D56 | | 0 250 202 094 |
| | | | | | Chassis P05V/P15V | GPF-112 |
| | 06.86 - 05.93 | 4 | 2.5 | 4D56 | Chassis P25V | GPF-112 |
| | 06.86 - 05.96 | 4 | 2.5 | 4D56T | Chassis P05W/P15W, Chassis /P25W/P35W | GPF-133 |
| | 06.93 - 03.94 | 4 | 2.5 | 4D56 | Chassis L039P | GPF-118 |
| | 06.93 - 08.94 | 4 | 2.5 | 4D56 | Chassis P25V/P45V | GPF-117 |
| | 06.93 - 09.97 | 4 | 2.5 | 4D56T | Chassis P05W/P15W, Chassis /P25W/P35W | GPF-117 |
| | 06.93 - 08.99 | 4 | 2.5 | 4D56 | Chassis P05V/P15V | GPF-117 |
| | 03.94 - 06.97 | 4 | 2.5 | 4D56T | Chassis P05T/P15T | GPF-117 |
| | 03.94 - 09.97 | 4 | 2.5 | 4D56T | Chassis PA5W/PB5W/PC5W Chassis P25T | GPF-117 |
| | 03.94 - 05.99 | 4 | 2.8 | 4M40T | Chassis PD8W/PE8W/PF8W | GPM-902 |
| | 05.94 - 04.96 | 4 | 2.8 | 4M40T | Chassis PD8W/PE8W/PF8W | GPF-119 |
| | 04.96 - 05.99 | 4 | 2.8 | 4M40T | | 0 250 202 121 |
| | 09.97 - 06.99 | 4 | 2.5 | 4D56T | Chassis P05T/P15T | GPM-903 |
| | 09.97 - 08.99 | 4 | 2.5 | 4D56T | Chassis P05V/P15V Chassis P05W/P15W, Chassis /P25W/P35W Chassis P25V/P45V | GPM-903 GPM-903 GPM-903 |
| | 10.97 - 04.99 | 4 | 2.5 | 4D56T | Chassis P05W/P15W/ Chassis P25W/P35W | GPM-903 |
| | 10.97 - 06.99 | 4 | 2.5 | 4D56T | Chassis P25T | GPM-903 |
| | 05.99 - 10.04 | 4 | 2.8 | 4M40T | | 0 250 202 121 |
| | | | | | Chassis PD8W/PE8W/PF8W | GPM-902 |

Eterna

| | | | | | | |
|--|---------------|---|-----|------|------------------------------|----------------------------------|
| | 06.92 - 09.93 | 4 | 2.0 | 4D68 | Chassis E57A Chassis E77A | GPF-133 GPF-133 |
| | 10.93 - 08.96 | 4 | 2.0 | 4D68 | Chassis E57A Chassis E77A | GPF-117 GPF-117 |

Express

| | | | | | | |
|----------|---------------|---|-----|------|-------------------|----------------------|
| P | 11.86 - 05.93 | 4 | 2.5 | 4D56 | | 0 250 202 094 |
| | | | | | Chassis P05V/P15V | GPF-112 |
| | 06.93 - 12.00 | 4 | 2.5 | 4D56 | Chassis P05V/P15V | GPF-117 |

Express Utility L200

| | | | | | | |
|-----------|---------------|---|-----|------|---------------------|----------------------|
| MC | 10.82 - 12.84 | 4 | 2.3 | 4D55 | | 0 250 202 094 |
| | | | | | Chassis L0380/L068P | GPF-112 |
| MD | 10.84 - 10.86 | 4 | 2.3 | 4D55 | | 0 250 202 094 |
| | | | | | Chassis L0380/L068P | GPF-112 |



| Galant | | | | | | | | |
|--------------|---------------|---|-----|-------|---|-----|---------|---------------|
| A1 | 05.80 - 05.84 | 4 | 2.3 | 4D55T | | NSA | | 0 250 202 094 |
| | | | | | Chassis A167 | | GPF-112 | |
| | 06.92 - 09.93 | 4 | 2.0 | 4D68 | Chassis E57A | | GPF-133 | |
| | | | | | Chassis E77A | | GPF-133 | |
| | 10.93 - 08.96 | 4 | 2.0 | 4D68 | Chassis E57A | | GPF-117 | |
| | | | | | Chassis E77A | | GPF-117 | |
| Lancer | | | | | | | | |
| | 10.91 - 10.92 | 4 | 1.8 | 4D65T | Chassis CB7A | | GPF-133 | |
| | | | | | Chassis CD7A | | GPF-133 | |
| C6/C7 | 06.92 - 01.94 | 4 | 2.0 | 4D68 | Chassis CD8A | | GPF-133 | |
| CA/CB/CD | 10.92 - 01.94 | 4 | 2.0 | 4D68 | Chassis CB8A | | GPF-133 | |
| | | | | | Chassis CB8W | | GPF-133 | |
| | 01.94 - 10.95 | 4 | 2.0 | 4D68T | Chassis CD8A | | GPF-117 | |
| | 01.94 - 10.96 | 4 | 2.0 | 4D68T | Chassis CB8A | | GPF-117 | |
| | 10.95 - 09.97 | 4 | 2.0 | 4D68T | Chassis CK8A | | GPF-117 | |
| | | | | | Chassis CM8A | | GPF-117 | |
| | 10.97 - 06.99 | 4 | 2.0 | 4D68T | Chassis CK8A | | GPM-903 | |
| | | | | | Chassis CM8A | | GPM-903 | |
| Libero | | | | | | | | |
| | 01.94 - 08.97 | 4 | 2.0 | 4D68T | Chassis CB8W | | GPF-117 | |
| | | | | | Chassis CD8W | | GPF-117 | |
| | 08.94 - 09.97 | 4 | 2.0 | 4D68T | Chassis CB8V | | GPF-117 | |
| | 09.97 - 06.99 | 4 | 2.0 | 4D68T | Chassis CD8W | | GPM-903 | |
| | 09.97 - 08.02 | 4 | 2.0 | 4D68T | Chassis CB8W | | GPM-903 | |
| | 10.97 - 08.02 | 4 | 2.0 | 4D68T | Chassis CB8V | | GPM-903 | |
| Libero Cargo | | | | | | | | |
| | 06.92 - 12.93 | 4 | 2.0 | 4D68 | Chassis CD8V | | GPF-133 | |
| | 08.94 - 09.97 | 4 | 2.0 | 4D68T | Chassis CB8V | | GPF-117 | |
| | 10.97 - 08.02 | 4 | 2.0 | 4D68T | Chassis CB8V | | GPM-903 | |
| Mirage | | | | | | | | |
| | 10.91 - 10.92 | 4 | 1.8 | 4D65T | Chassis CB7A | | GPF-133 | |
| | | | | | Chassis CD7A | | GPF-133 | |
| | 10.92 - 10.95 | 4 | 2.0 | 4D68T | Chassis CB8A | | GPF-117 | |
| | | | | | Chassis CD8A | | GPF-117 | |
| | 10.95 - 09.97 | 4 | 2.0 | 4D68T | Chassis CK8A | | GPF-117 | |
| | | | | | Chassis CM8A | | GPF-117 | |
| | 10.97 - 06.99 | 4 | 2.0 | 4D68T | Chassis CK8A | | GPM-903 | |
| | | | | | Chassis CM8A | | GPM-903 | |
| Pajero | | | | | | | | |
| L | 12.82 - 04.86 | 4 | 2.3 | 4D55 | | KZN | | 0 250 202 094 |
| | | | | | Chassis L043G/L043GW, Chassis /L048G | | GPF-112 | |
| | 04.86 - 08.88 | 4 | 2.5 | 4D56 | | | | 0 250 202 094 |
| | | | | | Chassis L044GW | | GPF-112 | |
| | 04.86 - 04.91 | 4 | 2.5 | 4D56 | | | | 0 250 202 094 |
| L | 05.86 - 10.89 | 4 | 2.5 | 4D56 | | KZN | | 0 250 202 094 |
| | | | | | Chassis L044G/L044GW, Chassis L049GV | | GPF-112 | |
| | 05.86 - 06.91 | 4 | 2.5 | 4D56T | | KZN | | 0 250 202 094 |
| | | | | | Chassis L044G/L044GW, Chassis L049GV | | GPF-112 | |
| | 09.88 - 04.91 | 4 | 2.5 | 4D56 | | | | 0 250 202 094 |
| | | | | | Chassis L144GW/L149GW | | GPF-112 | |
| L | 11.89 - 06.91 | 4 | 2.5 | 4D56T | | KZN | | 0 250 202 094 |
| | | | | | Chassis L144GW/L149GW | | GPF-112 | |





◀ MITSUBISHI

| | | | | | | |
|----------|---------------|---|-----|-------|---|----------------------|
| V | 12.90 - 06.93 | 4 | 2.5 | 4D56 | Chassis V24W/V44W | GPF-133 |
| | 01.91 - 06.93 | 4 | 2.5 | 4D56T | Chassis V24C | GPF-133 |
| | | | | | Chassis V24W/V24WG/ V44WG | GPF-133 |
| V | 01.91 - 07.93 | 4 | 2.5 | 4D56 | Chassis V14V/V34V | GPF-133 |
| | | | | | Chassis V24V | GPF-133 |
| | | | | | | 0 250 202 094 |
| V | 04.91 - 06.93 | 4 | 2.5 | 4D56 | Chassis V34V | GPF-133 |
| | 07.93 - 10.93 | 4 | 2.5 | 4D56 | | 0 250 202 094 |
| | 07.93 - 01.96 | 4 | 2.8 | 4M40T | Chassis V26W/V26WG, Chassis V46W/V46WG | GPF-119 |
| | | | | | Chassis V46V | GPF-119 |
| V | 07.93 - 05.97 | 4 | 2.5 | 4D56T | Chassis V24C | GPF-117 |
| | | | | | Chassis V24W/V24WG | GPF-117 |
| | 11.93 - 01.96 | 4 | 2.8 | 4M40 | Chassis V26W/V46W | GPF-119 |
| | 11.93 - 06.00 | 4 | 2.5 | 4D56 | Chassis V24W | GPF-117 |
| V | 01.95 - 12.00 | 4 | 3.2 | 4M41D | | 0 250 202 124 |
| | | | | | Chassis V78W | GPM-904 |
| V | 06.97 - 05.99 | 4 | 2.8 | 4M40T | | 0 250 202 121 |
| | 06.97 - 04.00 | 4 | 2.8 | 4M40T | OWE | 0 250 202 121 |
| | 06.99 - 11.04 | 4 | 3.2 | 4M41D | | 0 250 202 124 |
| | 06.99 - 06.08 | 4 | 3.2 | 4M41D | Chassis V68W/V78W | GPM-904 |
| | 02.00→ | 4 | 3.2 | 4M41D | | 0 250 202 124 |

| | | | | | | |
|------------|---------------|---|-----|------|--------------------|----------------|
| RVR | | | | | | |
| | 09.92 - 07.93 | 4 | 2.0 | 4D68 | Chassis N28W/N28WG | GPF-133 |
| | 08.93 - 11.97 | 4 | 2.0 | 4D68 | Chassis N28W/N28WG | GPF-117 |

| | | | | | | |
|--------------------|---------------|---|-----|-------|--|----------------|
| Space Wagon | | | | | | |
| N | 05.91 - 05.92 | 4 | 1.8 | 4D65T | | GPF-133 |









| | | | | | | |
|---------------|---------------|---|-----|-------|-------------------|----------------|
| Triton | | | | | | |
| MJ | 08.91 - 09.93 | 4 | 2.5 | 4D56T | Chassis K34T | GPF-133 |
| | 10.93 - 10.96 | 4 | 2.5 | 4D56T | Chassis K34T/K74T | GPF-117 |

NISSAN

| | | | | | | |
|---------------|---------------|---|-----|------|----------------|----------------------|
| AD Van | | | | | | |
| | 05.88 - 10.90 | 4 | 1.7 | CD17 | | 0 250 202 094 |
| | | | | | Chassis VSB11 | GPN-327 |
| | 05.97 - 06.99 | 4 | 2.0 | CD20 | | 0 250 312 002 |
| | | | | | Chassis VENY10 | GPN-331 |

| | | | | | | |
|-----------------|---------------|---|-----|------|---------------|----------------------|
| AD Wagon | | | | | | |
| | 10.90 - 08.93 | 4 | 1.7 | CD17 | | 0 250 312 001 |
| | | | | | Chassis WSY10 | GPN-330 |
| | 08.93 - 05.96 | 4 | 2.0 | CD20 | | 0 250 312 002 |
| | | | | | Chassis WEY10 | GPN-331 |

| | | | | | | |
|--------------|---------------|---|-----|------|---|----------------------|
| Atlas | | | | | | |
| | 11.82 - 11.86 | 4 | 3.3 | ED33 | Chassis CMH40/DMH40, Chassis MH40/MGH40, Chassis RMGH40/TMH40 | GPN-311 |
| | 11.86 - 06.90 | 4 | 2.7 | TD27 | | 0 250 202 094 |
| | | | | | Chassis AH40 | GPN-327 |
| | | | | | 12V | GPN-328 |
| | | | | | 24V,KZO | GPN-328 |

|  |  |  |  |  |  |  |  |
|---|---|---|---|--|---|--|---|
| Fitment Date | Cyl. | Horsepower | Type | Chassis No. | | | DURATERM |
| 11.86 - 01.92 | 4 | 2.3 | TD23 | Chassis TF22/TGF22 | 12V | GPN-327 | 0 250 202 094 |
| | | | | | 24V,KZO | GPN-328 | |
| | | 2.7 | TD27 | Chassis AF22/AGF22 | 12V | GPN-327 | 0 250 202 094 |
| | | | | | 24V,KZO | GPN-328 | |
| 10.91 - 05.95 | 4 | 3.5 | ED35 | Chassis SE2H41 | | GPN-326 | |
| 06.95 - 06.99 | 4 | 2.5 | TD25 | Chassis SN6F23 | | GPN-327 | 0 250 202 094 |
| 08.97 → | 4 | 3.2 | QD32 | Chassis SR8F | | GPN-342 | |
| Avenir | | | | | | | |
| 05.90 - 06.99 | 4 | 2.0 | CD20 | Chassis VSW10 | | GPN-331 | 0 250 312 002 |
| 01.93 - 08.98 | 4 | 2.0 | CD20T | Chassis SW10 | | GPN-331 | 0 250 312 002 |
| Bluebird | | | | | | | |
| 09.87 - 08.91 | 4 | 2.0 | LD20 | Chassis SU12 | | GPN-330 | 0 250 312 001 |
| 09.91 - 11.95 | 4 | 2.0 | CD20 | Chassis SNU13 | | GPN-331 | 0 250 312 002 |
| | | | | Chassis SU13/TSU13 | | GPN-331 | |
| 01.96 - 09.98 | 4 | 2.0 | CD20 | Chassis SU14 | | GPN-331 | 0 250 312 002 |
| 09.98 - 08.01 | 4 | 2.0 | CD20E | Chassis SU14 | | GPN-331 | 0 250 312 002 |
| Cabstar | | | | | | | |
| H40 | 11.86 - 01.89 | 4 | 2.7 | TD27 | | GPN-327 | 0 250 202 094 |
| Caravan | | | | | | | |
| 09.86 - 09.88 | 4 | 2.3 | TD23 | Chassis CYGE24/VYE24, Chassis VYGE24 | | GPN-327 | 0 250 202 094 |
| 10.87 - 05.97 | 4 | 2.7 | TD27 | Chassis CRGE24/VRE24, Chassis VRGE24 Chassis CRMGE24/VRMGE24 Chassis DRGE24 | | GPN-327 GPN-327 GPN-327 GPN-327 | 0 250 202 094 |
| 10.87 - 06.99 | 4 | 2.7 | TD27 | Chassis KRME24/KRMGE24 | | GPN-327 | |
| 10.88 - 05.93 | 4 | 2.7 | TD27T | Chassis KRE24 Chassis KRME24 | | GPN-338 GPN-338 | |
| 10.90 - 08.95 | 4 | 2.7 | TD27Ti | Chassis ARME24/ARMGE24 Chassis KRE24 | | GPN-338 GPN-338 | |
| 10.90 - 06.99 | 4 | 2.7 | TD27 | Chassis KRE24/KRGE24 | | GPN-327 | 0 250 202 094 |
| 08.95 - 05.97 | 4 | 2.7 | TD27ETi | Chassis ARE24 | | GPN-342 | |
| 08.95 - 06.99 | 4 | 2.7 | TD27ETi | | | GPN-342 | |
| 08.96 - 04.01 | 4 | 3.2 | QD32 | Chassis VWE24/VWGE24, Chassis CWGE24 Chassis VWMGE24/CWMGE24 | | GPN-342 GPN-342 GPN-342 | |
| 05.97 - 04.01 | 4 | 3.2 | QD32 | Chassis DWGE24 | | GPN-342 | |
| 04.01 - 08.04 | 4 | 3.0 | ZD30DD | Chassis VWE25 | | GPN-900 | |
| 09.02 → | 4 | 3.0 | ZD30DDTi | Chassis VWE25/VPE25 | | GPN-900 | |
| Caravan Coach | | | | | | | |
| 09.86 - 10.90 | 4 | 2.0 | LD20T | | XEV XEW | GPN-908 GPN-909 | |



◀ NISSAN

| Cedric | | | | | | | |
|-------------|---------------|---|-----|----------|---|---------|----------------------------------|
| | 01.73 - 10.76 | 4 | 2.2 | SD22 | | | 0 250 202 015 |
| | 11.76 - 10.77 | 4 | 2.2 | SD22 | Chassis Q330/R330 | | GPN-310 |
| | 11.77 - 06.79 | 4 | 2.2 | SD22 | Chassis Q330/R330 | | GPN-332 |
| 430 | | | | | | | |
| | 01.80 - 06.82 | 6 | 2.8 | LD28 | Chassis H430/HY430, Chassis WH430/VH430 | | GPN-309 |
| | 01.80 - 09.85 | 6 | 2.8 | LD28 | Chassis H430/KH430, Chassis WH430/VH430 | | GPN-309 |
| | 07.82 - 09.85 | 6 | 2.8 | LD28 | Chassis H430/KH430, Chassis WH430/VH430 | | GPN-320 |
| | 06.85 - 08.93 | 6 | 2.8 | RD28 | Chassis UY30 | XEV | GPN-908 |
| | | | | | | XEW | GPN-909 |
| | 08.85 - 08.93 | 6 | 2.8 | RD28 | Chassis VUY30 | XEV | GPN-908 |
| | | | | | | XEW | GPN-909 |
| | | | | | Chassis WUY30 | XEV | GPN-908 |
| | | | | | | XEW | GPN-909 |
| | 06.87 - 05.95 | 6 | 2.8 | RD28 | Chassis UY31 | XEV | GPN-908 |
| | | | | | | XEW | GPN-909 |
| | 06.93 - 06.95 | 6 | 2.8 | RD28 | Chassis UY32 | XEV | GPN-908 |
| | | | | | | XEW | GPN-909 |
| | 06.95 - 06.99 | 6 | 2.8 | RD28 | Chassis UY33 | | GPN-902 |
| | 08.99 - 08.02 | 6 | 2.8 | RD28E | Chassis UY31 | | GPN-902 |
| Civilian | | | | | | | |
| | 05.88 - 01.99 | 6 | 4.2 | TD42 | Chassis RGW40/RW40/ RYW40 | 24V | GPN-328 |
| | 06.90 - 01.99 | 4 | 3.5 | ED35 | Chassis BW40/BGW40 | | GPN-901 |
| Condor | | | | | | | |
| | 11.86 - 06.90 | 4 | 2.7 | TD27 | | | 0 250 202 094 |
| | | | | | Chassis AH40 | 12V | GPN-327 |
| | | | | | | 24V,KZO | GPN-328 |
| | 06.95 - 06.99 | 4 | 2.5 | TD25 | | | 0 250 202 094 |
| | | | | | Chassis SN2F23/SN4F23 | | GPN-327 |
| | | | | | Chassis SN6F23 | | GPN-327 |
| | 08.97 - 12.04 | 4 | 3.2 | QD32 | Chassis SR4F23 | | GPN-342 |
| Datsun 220C | | | | | | | |
| 330 | | | | | | | |
| | 09.75 - 09.81 | 4 | 2.2 | SD22 | | | 0 250 202 015 |
| Elgrand | | | | | | | |
| | 05.97 - 08.99 | 4 | 3.2 | QD32ETi | Chassis AVE50 | | GPN-342 |
| | | | | | Chassis AVWE50 | | GPN-342 |
| | 08.99 - 05.02 | 4 | 3.0 | ZD30DDTi | Chassis ATE50 | | GPN-900 |
| | | | | | Chassis ATWE50 | | GPN-900 |
| Gloria | | | | | | | |
| 430 | | | | | | | |
| | 07.79 - 05.82 | 6 | 2.8 | LD28 | Chassis H430/KH430, Chassis WH430/VH430 | | GPN-309 |
| | 06.82 - 06.85 | 6 | 2.8 | LD28 | Chassis H430/W430/ VH430, Chassis HY30/ WHY30/VHY | KZO | GPN-320 GPN-316 |
| | 06.85 - 08.93 | 6 | 2.8 | RD28 | Chassis UY30 | XEV | GPN-908 |
| | | | | | | XEW | GPN-909 |
| | 06.87 - 08.99 | 6 | 2.8 | RD28 | | XEV | GPN-908 |
| | | | | | | XEW | GPN-909 |
| | 12.87 - 08.93 | 6 | 2.8 | RD28 | Chassis UY30 | XEV | GPN-909 |
| | 06.91 - 06.95 | 6 | 2.8 | RD28 | | XEV | GPN-908 |
| | | | | | | XEW | GPN-909 |
| | 06.95 - 06.99 | 6 | 2.8 | RD28 | Chassis UY33 | | GPN-902 |





| Homy | | | | | | |
|------------|---------------|---|-----|----------|---|----------------------------------|
| | 09.86 - 09.88 | 4 | 2.3 | TD23 | | 0 250 202 094 |
| | | | | | Chassis CYGE24/VYE24, Chassis VYGE24 | GPN-327 |
| | 10.87 - 05.97 | 4 | 2.7 | TD27 | | 0 250 202 094 |
| | | | | | Chassis CRGE24/VRE24, Chassis VRGE24 | GPN-327 |
| | | | | | Chassis CRMGE24/VRMGE24 | GPN-327 |
| | | | | | Chassis DRGE24 | GPN-327 |
| | 10.87 - 06.99 | 4 | 2.7 | TD27 | Chassis KRME24/KRMGE24 | GPN-327 |
| | 10.88 - 05.93 | 4 | 2.7 | TD27T | Chassis KRE24 | GPN-338 |
| | | | | | Chassis KRME24 | GPN-338 |
| | 10.90 - 08.95 | 4 | 2.7 | TD27Ti | Chassis ARME24/ARMGE24 | GPN-338 |
| | | | | | Chassis KRE24 | GPN-338 |
| | 10.90 - 06.99 | 4 | 2.7 | TD27 | | 0 250 202 094 |
| | | | | | Chassis KRE24/KRGE24 | GPN-327 |
| | 08.95 - 05.97 | 4 | 2.7 | TD27ETi | Chassis ARE24 | GPN-342 |
| | 08.95 - 06.99 | 4 | 2.7 | TD27ETi | Chassis ARME24/ARMGE24 | GPN-342 |
| | 08.96 - 06.99 | 4 | 3.2 | QD32 | Ascertain in vehicle | GPN-342 |
| | | | | | Chassis CWGE24/VWE24, Chassis VWGE24 | GPN-342 |
| | | | | | Chassis CWMGE24/VWMGE24 | GPN-342 |
| | 05.97 - 06.99 | 4 | 3.2 | QD32 | Chassis DWGE24 | GPN-342 |
| Homy Coach | | | | | | |
| | 09.86 - 10.90 | 4 | 2.0 | LD20T | Chassis KSE24/KRME24/ Chassis KRMGE24/ KSGE24 | GPN-908 GPN-909 |
| | | | | | XEV XEW | |
| Largo | | | | | | |
| | 05.93 - 08.95 | 4 | 2.0 | CD20Ti | | 0 250 312 002 |
| | | | | | Chassis VNW30 | GPN-331 |
| | | | | | Chassis VW30 | GPN-331 |
| | 08.95 - 06.99 | 4 | 2.0 | CD20ETi | | 0 250 312 002 |
| | | | | | Chassis VNW30 | GPN-331 |
| | | | | | Chassis VW30 | GPN-331 |
| Laurel | | | | | | |
| C31 | 01.81 - 11.81 | 6 | 2.8 | LD28 | Chassis C31 | GPN-309 |
| | 11.81 - 10.84 | 6 | 2.8 | LD28 | Chassis C31 | GPN-316 |
| | | | | | | GPN-320 |
| C32 | 01.85 - 02.87 | 6 | 2.8 | LD28 | Chassis C32 | GPN-316 |
| | | | | | | GPN-320 |
| | 12.88 - 06.97 | 6 | 2.8 | RD28 | | GPN-908 |
| | | | | | XEV XEW | GPN-909 |
| | 06.97 - 08.99 | 6 | 2.8 | RD28 | Chassis SC35 | GPN-902 |
| | 08.99 - 08.02 | 6 | 2.8 | RD28E | Chassis SC35 | GPN-902 |
| Mistral | | | | | | |
| | 02.94 - 10.96 | 4 | 2.7 | TD27T | Chassis R20 | GPN-338 |
| | 10.96 - 07.98 | 4 | 2.7 | TD27BETi | Chassis R20 | GPN-338 |
| Navara | | | | | | |
| D21 | 09.85 - 07.87 | 4 | 2.5 | SD25 | Chassis AD21/AGD21/ AMD21 | GPN-322 |
| | 08.87 - 02.92 | 4 | 2.5 | TD25 | | 0 250 202 094 |
| | | | | | Chassis PD21/PGD21/ PMD21 | GPN-327 |
| | 08.87 - 01.97 | 4 | 2.7 | TD27 | | 0 250 202 094 |
| | | | | | Chassis BD21/BGD21/ BMD21 | GPN-327 |





◀ NISSAN

| | | | | | | | |
|----------------|---------------|---------------|---------|-----------------------|-------------------------------|----------------|----------------------|
| D21 | 08.87 - 03.97 | 4 | 2.7 | TD27 | | | 0 250 202 094 |
| | | | | | Chassis BD21/BGD21/ BMD21 | GPN-327 | |
| | 08.87 - 02.98 | 4 | 2.5 | TD25 | | | 0 250 202 094 |
| | | | | | Chassis PD21/PGD21/ PMD21 | GPN-327 | |
| D22 | 02.97→ | 4 | 2.7 | TD27 | | | 0 250 202 094 |
| | | | | | Chassis BD22 | GPN-327 | |
| | 11.01→ | 4 | 3.0 | ZD30 | | | GPN-900 |
| | | | | | | GPN-900 | |
| Patrol | | | | | | | |
| 160 | 11.79 - 06.80 | 6 | 3.3 | SD33 | | 12V | 0 250 202 015 |
| | 06.80 - 08.82 | 6 | 3.3 | SD33 | Chassis KR160/VRG160 | 24V | GPN-308 |
| Y60 | 08.87 - 09.97 | 6 | 4.2 | TD42 | Chassis Y60 | 24V | GPN-328 |
| | 10.94 - 09.97 | 6 | 2.8 | RD28T | Chassis WYY60 | XEV | GPN-908 |
| | | | | | | XEW | GPN-909 |
| | | | | | Chassis Y60 | 12V | GPN-327 |
| | 08.95 - 09.97 | 6 | 4.2 | TD42 | Chassis WRY60 | 12V | GPN-338 |
| | Y61 | 10.97→ | 6 | 2.8 | RD28Ti | Chassis WYY61 | |
| | | | | Chassis WRGY61/VRGY61 | | GPN-338 | |
| | 02.99 - 02.03 | 6 | 4.2 | TD42T | Chassis VRGY61 | | GPN-338 |
| | | | | | Chassis Y61 | | GPN-338 |
| | 02.00→ | 4 | 3.0 | ZD30DDTi | Chassis Y61 | | GPN-900 |
| | 03.00→ | 4 | 3.0 | ZD30DDTi | Chassis WTY61/Y61 | | GPN-900 |
| Y61 | 02.03 - 09.07 | 6 | 4.2 | TD42Ti | Chassis Y61 | | GPN-338 |
| | 03.03→ | 4 | 3.0 | ZD30DDTi | Chassis WTY61/Y61 | | GPN-900 |
| Y61 | 01.07→ | 4 | 3.0 | ZD30DDTi | Chassis Y61 | | GPN-900 |
| Pick-Up | | | | | | | |
| 620 | 08.78 - 07.79 | 4 | 2.2 | SD22 | Chassis R620 | | GPN-332 |
| Pickup | | | | | | | |
| 720 | 01.83 - 09.85 | 4 | 2.3 | SD23 | Chassis A720/AG720/ AGY720 | | GPN-318 |
| Pulsar | | | | | | | |
| N12 | 04.82 - 05.86 | 4 | 1.7 | CD17 | Chassis SN12 | | GPN-314 |
| | | | | | | | GPN-315 |
| | | | | | | KZO | GPN-315 |
| | N13 | 06.86 - 08.90 | 4 | 1.7 | CD17 | | |
| | | | | Chassis SN13 | | GPN-330 | |
| | 01.87 - 04.88 | 4 | 1.7 | CD17 | | | 0 250 312 001 |
| | | | | | Chassis SN13 | | GPN-330 |
| | 04.88 - 08.90 | 4 | 1.7 | CD17 | | | 0 250 312 001 |
| | | | | | Chassis SN13 | | GPN-330 |
| | 08.90 - 12.94 | 4 | 1.7 | CD17 | | | 0 250 312 001 |
| | | | | | Chassis SN14 | | GPN-330 |
| | 01.95 - 08.00 | 4 | 2.0 | CD20 | | | 0 250 312 002 |
| | 09.97 - 09.98 | 4 | 2.0 | CD20 | Chassis SNN15 | | GPN-331 |
| | | | | | Chassis SN15 | | GPN-331 |
| Safari | | | | | | | |
| | 10.87 - 10.97 | 6 | 4.2 | TD42 | | | 0 250 202 094 |
| | | | | | Chassis VRGY60 | 12V | GPN-327 |
| | | | | | | 24V | GPN-328 |
| | 02.91 - 08.93 | 6 | 4.2 | TD42 | Chassis WRGY60/WRY60 | 24V | GPN-328 |
| 08.93 - 10.97 | 6 | 4.2 | TD42T | Chassis WRGY60/WRY60 | | GPN-327 | |
| 10.94 - 10.97 | 6 | 2.8 | RD28T | Chassis WYY60 | XEV | GPN-908 | |
| | | | | | XEW | GPN-909 | |
| 10.97 - 09.99 | 6 | 2.8 | RD28ETi | Chassis WYY61 | | GPN-902 | |
| | | 4.2 | TD42T | Chassis WRGY61 | | GPN-338 | |



| | | | | | |
|---------------|---|-----|----------|----------------|----------------|
| 09.99 - 11.02 | 4 | 3.0 | ZD30DDTi | Chassis WTY61 | GPN-900 |
| | 6 | 4.2 | TD42T | Chassis VRGY61 | GPN-338 |

Serena

| | | | | | | |
|---------------|---|-----|--------|----------------|----------------|----------------------|
| 06.91 - 08.93 | 4 | 2.0 | CD20 | Chassis KVJC23 | GPN-331 | 0 250 312 002 |
| 06.91 - 01.97 | 4 | 2.0 | CD20T | Chassis KVC23 | GPN-331 | 0 250 312 002 |
| | | | | Chassis KVNC23 | GPN-331 | |
| 06.91 - 06.99 | 4 | 2.0 | CD20 | Chassis VVJC23 | GPN-331 | 0 250 312 002 |
| 01.97 - 06.99 | 4 | 2.0 | CD20ET | Chassis KVC23 | GPN-331 | 0 250 312 002 |
| | | | | Chassis KVNC23 | GPN-331 | |

Skyline

| | | | | | | |
|---------------|---|-----|------|--------------|-----|----------------|
| 09.85 - 04.89 | 6 | 2.8 | RD28 | Chassis SR31 | XEV | GPN-908 |
| | | | | | XEW | GPN-909 |

Sunny

| | | | | | | | |
|------------|---------------|---|-----|-----------|--------------------|----------------------|----------------------------------|
| B11 | 03.82 - 09.85 | 4 | 1.7 | CD17 | Chassis SB11/WSB11 | Ascertain in vehicle | GPN-314 GPN-315 |
| N13 | 06.86 - 08.90 | 4 | 1.7 | CD17 | | | 0 250 312 001 |
| | 09.87 - 01.90 | 4 | 1.7 | CD17 | Chassis SB12 | | 0 250 312 001 |
| | 09.87 - 10.90 | 4 | 1.7 | CD17 | Chassis WSB12 | | 0 250 312 001 |
| | 01.90 - 12.93 | 4 | 1.7 | CD17 | Chassis SB13 | | 0 250 312 001 |
| Y10 | 05.92 - 04.98 | 4 | 1.7 | CD17 <VA> | | | 0 250 312 001 |
| | 10.92 - 03.94 | 4 | 2.0 | CD20 <VC> | Chassis Y10 | | 0 250 312 002 |
| | 01.94 - 09.99 | 4 | 2.0 | CD20 | Chassis SB14 | | 0 250 312 002 |
| | | | | | Chassis SNB14 | | GPN-331 GPN-331 |

Terrano

| | | | | | | | |
|-------------|---------------|---|-----|----------|----------------|--|----------------------------------|
| | 08.86 - 10.89 | 4 | 2.7 | TD27 | Chassis WBYD21 | | 0 250 202 094 |
| | 08.86 - 01.93 | 4 | 2.7 | TD27 | Chassis VBYD21 | | 0 250 202 094 |
| WD21 | 08.87 - 11.95 | 4 | 2.7 | TD27 | Chassis WD21 | | 0 250 202 094 |
| | 11.88 - 08.95 | 4 | 2.7 | TD27T | Chassis WBYD21 | | GPN-327 GPN-338 |
| | 09.95 - 02.99 | 4 | 2.7 | TD27Ti | Chassis PR50 | | GPN-342 |
| | 08.96 - 02.99 | 4 | 3.2 | QD32ETi | Chassis PR50 | | GPN-342 |
| | 02.99 - 08.02 | 4 | 3.0 | ZD30DDTi | Chassis JTR50 | | GPN-900 |

Truck

| | | | | | | | |
|--|---------------|---|-----|-------|--------------------|--|--|
| | 08.87 - 09.89 | 4 | 2.3 | TD23 | Chassis PMD21 | | 0 250 202 094 |
| | 08.87 - 08.92 | 4 | 2.3 | TD23 | Chassis PD21/PGD21 | | GPN-327 0 250 202 094 |
| | 11.88 - 01.97 | 4 | 2.7 | TD27 | Chassis BMD21 | | GPN-327 0 250 202 094 |
| | 08.92 - 01.97 | 4 | 2.7 | TD27 | Chassis BD21/BGD21 | | GPN-327 0 250 202 094 |
| | | | | TD27T | Chassis BMD21 | | GPN-338 |
| | 01.97 - 08.02 | 4 | 2.7 | TD27 | Chassis BD22 | | 0 250 202 094 GPN-327 |





◀ NISSAN

Urvan

| | | | | | | |
|------------|---------------|---|-----|-------|--|-------------------------------------|
| E23 | 07.80 - 04.82 | 4 | 2.2 | SD22 | | GPN-306 |
| | 04.82 - 01.87 | 4 | 2.3 | SD23 | | GPN-318 |
| E24 | 11.86 - 06.97 | 4 | 2.7 | TD27 | | GPN-327 0 250 202 094 |
| | 02.02→ | 4 | 3.0 | ZD30E | | GPN-900 |

Vanette

| | | | | | | |
|-------------|---------------|---|-----|------|---|----------------------|
| C120 | 10.82 - 06.87 | 4 | 2.0 | LD20 | Chassis C120 | GPN-320 |
| | | | | | KZO | GPN-316 |
| | 09.85 - 06.91 | 4 | 2.0 | LD20 | | 0 250 312 001 |
| | 09.85 - 03.94 | 4 | 2.0 | LD20 | Chassis KUC22/KUJC22 | GPN-330 |
| | | | | | Chassis VUJC22 | GPN-330 |
| GC22 | 10.87 - 04.93 | 4 | 2.0 | LD20 | | 0 250 312 001 |
| | | | | | Chassis VUJC22/KUC22, Chassis KUJC22 | GPN-330 |
| | 11.88 - 03.94 | 4 | 2.0 | LD20 | | 0 250 312 001 |
| | | | | | Chassis UJC22 | GPN-330 |

Vanette Cargo

| | | | | | | |
|-------------|---------------|---|-----|------|--|----------------------|
| C23M | 09.94 - 03.98 | 4 | 2.3 | LD23 | | 0 250 202 093 |
|-------------|---------------|---|-----|------|--|----------------------|

720 Ute

| | | | | | | |
|------------|---------------|---|-----|------|-------------------------------|----------------------|
| 720 | 08.79 - 01.82 | 4 | 2.2 | SD22 | | GPN-306 |
| | 08.79 - 12.82 | 4 | 2.2 | SD22 | | 0 250 202 110 |
| | | | | | Chassis S720/SG720/ RSG720 | GPN-306 |
| | | | | | | 0 250 202 110 |
| | 06.80 - 12.82 | 4 | 2.2 | SD22 | | 0 250 202 110 |
| | 01.82 - 12.82 | 4 | 2.2 | SD22 | | GPN-318 |
| | 02.82 - 12.82 | 4 | 2.2 | SD22 | | GPN-319 |

PEUGEOT

Expert

| | | | | | | |
|-----------|--------|---|-----|-----------------|--|----------------------|
| G9 | 02.07→ | 4 | 2.0 | RHK <DW10UTED4> | | 0 250 202 048 |
| | | | | RHR <DW10BTED4> | | 0 250 202 048 |

Partner

| | | | | | | |
|-----------|--------|---|-----|-----------------|--|----------------------|
| B9 | 05.08→ | 4 | 1.6 | 9HT <DV6BUTED4> | | 0 250 204 002 |
| | | | | 9HX <DV6AUTED4> | | 0 250 204 002 |

207

| | | | | | | |
|-----------|--------|---|-----|---------------------|--|----------------------|
| A7 | 05.06→ | 4 | 1.6 | 9HZ / 9HY <DV6TED4> | | 0 250 204 002 |
| | 06.07→ | 4 | 1.6 | 9HZ / 9HY <DV6TED4> | | 0 250 204 002 |

306

| | | | | | | |
|-----------|---------------|---|-----|--------------|--|----------------------|
| N5 | 06.99 - 10.03 | 4 | 2.0 | RHY <DW10TD> | | 0 250 202 032 |
|-----------|---------------|---|-----|--------------|--|----------------------|

307

| | | | | | | |
|-----------|---------------|---|-----|---------------------|-------------|----------------------|
| T5 | 08.00 - 05.05 | 4 | 2.0 | RHY <DW10TD> | | 0 250 202 032 |
| | 10.03 - 05.05 | 4 | 2.0 | RHR <DW10BTED4/FAP> | | 0 250 202 048 |
| | 02.04 - 05.05 | 4 | 1.6 | 9HZ / 9HY <DV6TED4> | | 0 250 204 001 |
| T6 | 06.05 - 05.06 | 4 | 1.6 | 9HZ / 9HY <DV6TED4> | Org. →10779 | 0 250 204 001 |
| | 06.05 - 05.08 | 4 | 2.0 | RHR <DW10BTED4/FAP> | | 0 250 202 048 |
| | 06.06 - 05.08 | 4 | 1.6 | 9HZ / 9HY <DV6TED4> | Org. 10780→ | 0 250 204 002 |

308

| | | | | | | |
|-----------|--------|---|-----|-------------------------|--|----------------------|
| T7 | 09.07→ | 4 | 1.6 | 9HZ <DV6TED4/FAP> | | 0 250 204 002 |
| | | | 2.0 | RHR/RHF <DW10BTED4/FAP> | | 0 250 202 048 |



| | | | | | |
|------------|---------------|---|-----|-------------------------|---------------|
| T7 | 05.08→ | 4 | 1.6 | 9HZ/9HY <DV6TED4> | 0 250 204 002 |
| | | | 2.0 | RHR/RHF <DW10BTED4/FAP> | 0 250 202 048 |
| 406 | | | | | |
| D9 | 04.99 - 06.04 | 4 | 2.0 | RHZ <DW10ATED> | 0 250 202 032 |
| | 03.00 - 06.04 | 4 | 2.2 | 4HX <DW12TED4> | 0 250 202 032 |
| | 08.01 - 06.04 | 4 | 2.0 | RHS <DW10ATED/FAP> | 0 250 202 032 |
| 407 | | | | | |
| D2 | 05.04→ | 4 | 2.0 | RHR/RHL/RHF <DW10BTED4> | 0 250 202 048 |
| | | | | RHR/RHL/RHF <DW10BTED4> | 0 250 202 048 |
| 504 | | | | | |
| | 08.76 - 05.78 | 4 | 2.3 | 134 <XD2> | 0 250 200 055 |

RENAULT**Kangoo**

| | | | | | |
|---------|---------------|---|-----|---------|---------------|
| FC./KC. | 04.05 - 12.07 | 4 | 1.5 | K9K 718 | 0 250 202 022 |
|---------|---------------|---|-----|---------|---------------|

Laguna

| | | | | | |
|-----|---------------|---|-----|---------|---------------|
| BG. | 07.05 - 09.07 | 4 | 2.2 | G9T 605 | 0 250 202 128 |
| BT. | 10.07→ | 4 | 2.0 | M9R 742 | 0 250 603 001 |
| KT. | 10.07→ | 4 | 2.0 | M9R 742 | 0 250 603 001 |

Master

| | | | | | |
|-----|---------------|---|-----|------------------------------|---------------|
| X70 | 10.03 - 10.06 | 4 | 2.5 | G9U 750 | 0 250 202 128 |
| | 11.06→ | 4 | 2.5 | G9U 650 (M1) <120B0, Euro 4> | 0 250 202 128 |

Megane

| | | | | | |
|-----|--------|---|-----|---------|---------------|
| LM. | 05.05→ | 4 | 1.9 | F9Q 803 | 0 250 202 022 |
|-----|--------|---|-----|---------|---------------|

Scenic II

| | | | | | |
|-----|---------------|---|-----|---------|---------------|
| JM. | 05.05 - 04.09 | 4 | 1.9 | F9Q 803 | 0 250 202 022 |
|-----|---------------|---|-----|---------|---------------|

Trafic

| | | | | | |
|-------------|---------------|---|-----|---------|---------------|
| EL./FL./JL. | 06.01 - 12.06 | 4 | 1.9 | F9Q 760 | 0 250 202 022 |
| | 01.07→ | 4 | 2.0 | M9R 780 | 0 250 603 002 |

ROVER

| | | | | | |
|----|---------------|---|-----|--------------------|---------------|
| 75 | 01.03 - 05.05 | 4 | 2.0 | M 47 R <M 47 D 20> | 0 250 202 103 |
|----|---------------|---|-----|--------------------|---------------|

SAAB (SAAB AUTOMOBILE AB)

| | | | | | |
|------------|--------|---|-----|--------|---------------|
| 9-3 | | | | | |
| 9440 | 09.04→ | 4 | 1.9 | Z19DTH | 0 250 203 001 |
| | 02.08→ | 4 | 1.9 | Z19DTH | 0 250 202 036 |
| | | | | Z19DTR | 0 250 202 036 |

9-3 Cabriolet

| | | | | | |
|------|--------|---|-----|--------|---------------|
| 9440 | 01.06→ | 4 | 1.9 | Z19DTH | 0 250 203 001 |
|------|--------|---|-----|--------|---------------|

9-3 Kombi

| | | | | | |
|------|--------|---|-----|--------|---------------|
| 9440 | 03.05→ | 4 | 1.9 | Z19DTH | 0 250 203 001 |
|------|--------|---|-----|--------|---------------|



◀ SAAB

| | | | | | | |
|------------------|---------------|---|-----|--------|--|---------------|
| 9-5 | | | | | | |
| | 09.05 - 02.10 | 4 | 1.9 | Z19DTH | | 0 250 203 001 |
| 9-5 Kombi | | | | | | |
| | 01.06 - 02.10 | 4 | 1.9 | Z19DTH | | 0 250 203 001 |

SKODA

| | | | | | | |
|----------------|--------|---|-----|------|--|---------------|
| Octavia | | | | | | |
| 1Z3 | 05.04→ | 4 | 2.0 | BKD | | 0 250 403 002 |
| | 02.06→ | 4 | 1.9 | BXE | | 0 250 402 001 |
| | 05.08→ | 4 | 2.0 | CEGA | | 0 250 403 007 |
| 1Z5 | 05.08→ | 4 | 2.0 | CEGA | | 0 250 403 007 |

| | | | | | | |
|----------------------|--------|---|-----|-----|--|---------------|
| Octavia Combi | | | | | | |
| 1Z5 | 05.04→ | 4 | 2.0 | BKD | | 0 250 403 002 |
| | 11.04→ | 4 | 1.9 | BXE | | 0 250 402 001 |
| | 12.05→ | 4 | 2.0 | BMM | | 0 250 402 001 |
| | 03.06→ | 4 | 1.9 | BXE | | 0 250 402 001 |

| | | | | | | |
|-----------------|--------|---|-----|-----|--|---------------|
| Roomster | | | | | | |
| 5J7 | 05.06→ | 4 | 1.9 | BSW | | 0 250 202 023 |

| | | | | | | |
|---------------|--------|---|-----|------|--|---------------|
| Superb | | | | | | |
| 3T4 | 06.08→ | 4 | 2.0 | CBBB | | 0 250 403 007 |

SSANGYONG

| | | | | | | |
|----------------|---------------|---|-----|-------------------|--|---------------|
| Korando | | | | | | |
| KJ | 07.96 - 12.05 | 5 | 2.9 | OM662 LA <OM 602> | | 0 250 201 041 |









| | | | | | | |
|--------------|---------------|---|-----|-------------------------|--|--------------------------------|
| Musso | | | | | | |
| MJ | 07.93 - 12.05 | 5 | 2.9 | OM 662 D29 <OM 602.910> | | 0 250 201 041 0 250 201 047 |

| | | | | | | |
|---------------|--------|---|-----|--------------------------|--|---------------|
| Rexton | | | | | | |
| | 09.02→ | 5 | 2.9 | 662 LA <(OM 662.925 LA)> | | 0 250 201 041 |
| | 08.04→ | 5 | 2.7 | D27DT (OM665.925) | | GPS-900 |

TOYOTA

| | | | | | | |
|-------------------|---------------|---|-----|---|---------------|---------|
| Blizzard | | | | | | |
| LD10RV-KCQ | 01.82 - 04.84 | 4 | 2.2 | L | Chassis KLD10 | GPT-216 |

| | | | | | | |
|----------------|---------------|---|-----|------|----------------|---------------|
| Caldina | | | | | | |
| CT190G | 11.92 - 01.96 | 4 | 2.0 | 2C | | 0 250 202 095 |
| | | | | | Chassis CT190G | GPT-222 |
| CT196V | 11.92 - 05.98 | 4 | 2.0 | 2C | | 0 250 202 095 |
| | | | | | Chassis CT196V | GPT-222 |
| CT198V | 11.92 - 05.98 | 4 | 2.0 | 2C | | 0 250 202 095 |
| | | | | | Chassis CT198V | GPT-222 |
| CT190G | 01.96 - 08.97 | 4 | 2.0 | 2CT | | 0 250 202 095 |
| CT216G | 08.97 - 09.02 | 4 | 2.2 | 3CTE | Chassis CT190G | GPT-233 |
| | | | | | Chassis CT216G | GPT-225 |
| CT197V | 05.98 - 06.02 | 4 | 2.2 | 3CE | | 0 250 202 095 |
| | | | | | Chassis CT197V | GPT-233 |

| |  |  |  |  |  |  |  |  |
|--|---|---|---|---|---|---|--|---|
| CT199V | 05.98 - 06.02 | 4 | 2.2 | 3CE | | | | 0 250 202 095 |
| | | | | | | Chassis CT199V | GPT-233 | |
| Camry | | | | | | | | |
| CV30 | 07.90 - 06.94 | 4 | 2.0 | 2CT | | | | 0 250 202 095 |
| | | | | | | Chassis CV30 | GPT-222 | |
| CV40 | 06.94 - 06.98 | 4 | 2.2 | 3CT | | | | GPT-225 |
| | | | | | | Chassis CV40 | GPT-225 | |
| CV43 | 01.95 - 06.98 | 4 | 2.2 | 3CT | | | | GPT-225 |
| | | | | | | Chassis CV43 | GPT-225 | |
| Camry / Vienta | | | | | | | | |
| CV10 | 09.83 - 09.85 | 4 | 1.8 | 1CTL | | | | GPT-212 |
| | | | | | | Chassis CV10 | GPT-212 | |
| Carina | | | | | | | | |
| CA60 | 04.82 - 09.83 | 4 | 1.8 | 1C | | | | GPT-212 |
| | | | | | | Chassis CA60 | GPT-212 | |
| CT150 | 10.83 - 11.87 | 4 | 2.0 | 2CL | | | | GPT-212 |
| | | | | | | Chassis CT150 | GPT-212 | |
| CT170 | 12.87 - 01.92 | 4 | 2.0 | 2C | | | | 0 250 202 095 |
| | | | | | | Chassis CT170 | GPT-222 | |
| | 05.88 - 08.92 | 4 | 2.0 | 2C | | | | 0 250 202 095 |
| | | | | | | Chassis CT170 | GPT-222 | |
| CT170G | 05.90 - 11.92 | 4 | 2.0 | 2C | | | | 0 250 202 095 |
| | | | | | | Chassis CT170G | GPT-222 | |
| CT190 | 08.92 - 08.96 | 4 | 2.0 | 2C | | | | 0 250 202 095 |
| | | | | | | Chassis CT190 | GPT-222 | |
| CT195 | 08.92 - 08.96 | 4 | 2.0 | 2C | | | | 0 250 202 095 |
| | | | | | | Chassis CT195 | GPT-222 | |
| CT190 | 11.92 - 01.96 | 4 | 2.0 | 2C | | | | 0 250 202 095 |
| | | | | | | Chassis CT190 | GPT-222 | |
| CT210 | 08.96 - 08.98 | 4 | 2.0 | 2CT | | | | 0 250 202 095 |
| | | | | | | Chassis CT210 | GPT-233 | |
| CT215 | 08.96 - 08.98 | 4 | 2.0 | 2CT | | | | 0 250 202 095 |
| | | | | | | Chassis CT215 | GPT-233 | |
| CT211 | 08.98 - 12.01 | 4 | 2.2 | 3CTE | | | | GPT-225 |
| | | | | | | Chassis CT211 | GPT-225 | |
| CT216 | 08.98 - 12.01 | 4 | 2.2 | 3CTE | | | | GPT-225 |
| | | | | | | Chassis CT216 | GPT-225 | |
| Chaser | | | | | | | | |
| LX80/LX80Y | 08.88 - 10.92 | 4 | 2.4 | 2L | | | | 0 250 202 096 |
| | | | | | | Chassis LX80 | GPT-223 | |
| | | | | 2LT | | | | 0 250 202 096 |
| | | | | | | Chassis LX80 | GPT-223 | |
| LX90 | 10.92 - 09.96 | 4 | 2.4 | 2LTE | | | | GPT-235 |
| | | | | | | Chassis LX90 | GPT-235 | |
| LX100 | 09.96 - 08.99 | 4 | 2.4 | 2LTE | | | | GPT-235 |
| | | | | | | Chassis LX100 | GPT-235 | |
| Coaster | | | | | | | | |
| BB21/BB31/BB40 | 02.83 - 07.99 | 4 | 3.4 | 3B | | | | GPT-228 |
| | | | | | | Chassis BB21/BB31 | GPT-228 | |
| HDB20/HDB30/ HDB31/HDB50/ HDB51 | 01.90 - 05.95 | 6 | 4.2 | 1HDT | | | | GPT-228 |
| | | | | | | Chassis HDB30/HDB31 | GPT-228 | |
| HZB30/HZB31/ HZB40/HZB41/ HZB50 | 01.90 - 07.99 | 6 | 4.2 | 1HZ | | | | GPT-228 |
| | | | | | | Chassis HZB30/HZB31/ HZB50 | GPT-228 | |
| HZB40/HZB41/ HZB50 | 07.99 - 08.04 | 6 | 4.2 | 1HZ | | | | GPT-228 |
| | | | | | | Chassis HZB50 | GPT-228 | |
| Comfort | | | | | | | | |
| LXS11/LXS11Y | 12.95 - 08.99 | 4 | 2.4 | 2LTE | | | | GPT-235 |
| | | | | | | Chassis LX11 | GPT-235 | |
| Corolla | | | | | | | | |
| NL30/NL40/NL50 | 05.86 - 08.90 | 4 | 1.5 | 1NT | | | | GPT-216 |
| | 05.86 - 07.99 | 4 | 1.5 | 1NT | | | | 0 250 202 096 |
| | | | | | | | | 0 250 202 095 |
| CE90 | 05.87 - 06.91 | 4 | 1.8 | 1C | | | | 0 250 202 095 |
| | | | | | | Chassis CE90 | GPT-222 | |



◀ TOYOTA

| | | | | | | | |
|-------------------------|---------------|---|-----|--------|----------------|----------------|----------------------|
| CE90 | 05.87 - 04.92 | 4 | 1.8 | 1C | | | 0 250 202 095 |
| CE97G | 08.87 - 09.91 | 4 | 1.8 | 1C | | | 0 250 202 095 |
| | | | | | Chassis CE97G | GPT-222 | |
| CE90 | 08.87 - 04.92 | 4 | 1.8 | 1C | | | 0 250 202 095 |
| | 06.89 - 04.92 | 4 | 1.8 | 1C | Chassis CE90 | GPT-222 | |
| NL30/NL40/NL50 | 09.90 - 08.94 | 4 | 1.5 | 1NT | Chassis NL40 | GPT-223 | |
| CE100 | 06.91 - 05.95 | 4 | 2.0 | 2C | | | 0 250 202 095 |
| | | | | | Chassis CE100 | GPT-222 | |
| CE106V | 09.91 - 04.98 | 4 | 2.0 | 2C | | | 0 250 202 095 |
| | | | | | Chassis CE106V | GPT-222 | |
| CE108G | 09.91 - 04.98 | 4 | 2.0 | 2C | | | 0 250 202 095 |
| | | | | | Chassis CE108G | GPT-222 | |
| CE109V | 09.91 - 04.98 | 4 | 2.0 | 2C | | | 0 250 202 095 |
| | | | | | Chassis CE109V | GPT-222 | |
| CE100 | 05.92 - 05.95 | 4 | 2.0 | 2C | | | 0 250 202 095 |
| | | | | | Chassis CE100 | GPT-222 | |
| | 05.92 - 04.97 | 4 | 2.0 | 2C | | | 0 250 202 095 |
| | | | | | Chassis CE100 | GPT-222 | |
| NL30/NL40/NL50 | 09.94 - 07.99 | 4 | 1.5 | 1NT | Chassis NL50 | GPT-234 | |
| CE100G | 05.95 - 04.98 | 4 | 2.0 | 2C | | | 0 250 202 095 |
| | | | | | Chassis CE100G | GPT-222 | |
| CE110 | 05.95 - 04.98 | 4 | 2.0 | 2C | | | 0 250 202 095 |
| | | | | | Chassis CE110 | GPT-222 | |
| CE114 | 05.95 - 04.98 | 4 | 2.0 | 2C | | | 0 250 202 095 |
| | | | | | Chassis CE114 | GPT-222 | |
| CE110/TERRA | 04.97 - 04.98 | 4 | 2.0 | 2CE | Chassis CE110 | GPT-222 | |
| CE110 | 04.97 - 10.99 | 4 | 2.0 | 2CE | | | 0 250 202 095 |
| | | | | | Chassis CE110 | GPT-222 | |
| CE110/TERRA | 04.97 - 10.99 | 4 | 2.0 | 2CE | | | 0 250 202 095 |
| CE101G | 04.98 - 08.00 | 4 | 2.2 | 3CE | | | 0 250 202 095 |
| | | | | | Chassis CE101G | GPT-233 | |
| CE113 | 04.98 - 08.00 | 4 | 2.2 | 3CE | | | 0 250 202 095 |
| | | | | | Chassis CE113 | GPT-233 | |
| CE116 | 04.98 - 08.00 | 4 | 2.2 | 3CE | | | 0 250 202 095 |
| | | | | | Chassis CE116 | GPT-233 | |
| CE105V | 04.98 - 06.02 | 4 | 2.2 | 3CE | | | 0 250 202 095 |
| | | | | | Chassis CE105V | GPT-233 | |
| CE107V | 04.98 - 06.02 | 4 | 2.2 | 3CE | | | 0 250 202 095 |
| | | | | | Chassis CE107V | GPT-233 | |
| WZE110 | 01.00 - 07.01 | 4 | 1.9 | 1WZ | | | 0 250 202 020 |
| CDE110 | 08.00 - 09.01 | 4 | 2.0 | 1CDFTV | | | 0 250 202 125 |
| CDE120 | 10.01 - 05.04 | 4 | 2.0 | 1CDFTV | | | 0 250 202 125 |
| Corolla Wagon | | | | | | | |
| CE102G | 04.98 - 06.02 | 4 | 2.2 | 3CE | | | 0 250 202 095 |
| | | | | | Chassis CE102G | GPT-233 | |
| Corolla 2.0 D-4D | | | | | | | |
| ADE150 | 11.06→ | 4 | 2.0 | 1ADFTV | | | F 01G 09P 221 |
| Corona | | | | | | | |
| CT141 | 01.87 - 07.99 | 4 | 2.0 | 2C | Chassis CT141 | | 0 250 202 095 |
| CT177 | 12.87 - 01.92 | 4 | 2.0 | 2C | Chassis CT177 | | 0 250 202 095 |
| CT170 | 12.87 - 02.92 | 4 | 2.0 | 2C | | | 0 250 202 095 |
| | | | | | Chassis CT170 | GPT-222 | |
| Corsa | | | | | | | |
| NL30/NL40/NL50 | 05.86 - 08.90 | 4 | 1.5 | 1NT | Chassis NL30 | GPT-216 | |
| | 05.86 - 07.99 | 4 | 1.5 | 1NT | | | 0 250 202 096 |
| | 09.90 - 08.94 | 4 | 1.5 | 1NT | Chassis NL40 | GPT-223 | |
| | 09.94 - 07.99 | 4 | 1.5 | 1NT | Chassis NL50 | GPT-234 | |











| Cressida | | | | | | | |
|------------------------------------|---------------|---|-----|-------|---|---------|--------------------|
| LX70 | 08.84 - 08.88 | 4 | 2.4 | 2L | Chassis LX70 | | GPT-216 |
| | 11.84 - 08.86 | 4 | 2.5 | 2LT | Chassis LX70 | | GPT-221 |
| LX80 | 08.88 - 08.92 | 4 | 2.4 | 2L | Chassis LX80 | | GPT-223 |
| | 09.88 - 08.96 | 4 | 2.4 | 2L | | | 0 250 202 096 |
| Cresta | | | | | | | |
| LX80/LX80Y | 08.88 - 10.92 | 4 | 2.4 | 2L | | | 0 250 202 096 |
| | | | | | Chassis LX80 | GPT-223 | |
| | | | | 2LT | | | 0 250 202 096 |
| | | | | | Chassis LX80 | GPT-223 | |
| LX90 | 10.92 - 09.96 | 4 | 2.4 | 2LTE | Chassis LX90 | | GPT-235 |
| LX100 | 09.96 - 08.99 | 4 | 2.4 | 2LTE | Chassis LX100 | | GPT-235 |
| Crown | | | | | | | |
| LS110 | 09.79 - 08.81 | 4 | 2.2 | L | Chassis LS110 | | 0 250 202 096 |
| | 09.80 - 07.83 | 4 | 2.2 | L | | | 0 250 202 096 |
| | 08.81 - 07.83 | 4 | 2.2 | L | Chassis LS110 | | GPT-215 GPT-216 |
| LS120 | 08.83 - 08.87 | 4 | 2.4 | 2LTHE | Chassis LS120 | | GPT-221 |
| LS130 | 09.87 - 07.89 | 4 | 2.4 | 2LTHE | Chassis LS130 | | GPT-221 |
| | 09.87 - 10.91 | 4 | 2.4 | 2L | | | 0 250 202 096 |
| | 08.89 - 10.91 | 4 | 2.4 | 2L | Chassis LS130 | | GPT-223 |
| LS136V | 10.91 - 09.94 | 4 | 2.4 | 2L | | | 0 250 202 096 |
| | | | | | Chassis LS136V | GPT-223 | |
| LS151/LS151H | 08.95 - 09.99 | 4 | 2.4 | 2LTE | Chassis LS151H | | GPT-235 |
| Dyna | | | | | | | |
| BU70 | 09.84 - 08.87 | 4 | 3.0 | B | Chassis BU70 | 12V | GPT-218 |
| | | | | | | 24V | GPT-217 |
| LY60 | 08.85 - 07.87 | 4 | 2.5 | 2L | Chassis LY60 | | GPT-216 |
| LY50/LY60 | 08.85 - 05.95 | 4 | 2.4 | 2L | Chassis LY50/LY60 | | GPT-216 |
| LH80 | 08.87 - 08.88 | 4 | 2.5 | 2L | | | 0 250 202 096 |
| WU95 | 08.87 - 08.88 | 4 | 4.0 | 1W | Chassis WU95 | | GPT-900 |
| BU60 | 08.88 - 07.89 | 4 | 3.0 | B | Chassis BU60 | 12V | GPT-218 |
| | | | | | | 24V | GPT-217 |
| WU90 | 08.88 - 05.93 | 4 | 4.0 | 1W | Chassis WU90 | | GPT-900 |
| LY50/LY60 | 08.88 - 05.95 | 4 | 2.4 | 2L | | | 0 250 202 096 |
| | | | | | Chassis LY50 | GPT-223 | |
| LY61 | 08.88 - 05.95 | 4 | 2.8 | 3L | | | 0 250 202 096 |
| | | | | | Chassis LY61 | GPT-223 | |
| LY51/61/101/ 111/121/131 | 08.88 - 05.99 | 4 | 2.8 | 3L | | | 0 250 202 096 |
| | | | | | Chassis LY51/LY61 | GPT-223 | |
| LH80 | 09.88 - 05.95 | 4 | 2.5 | 2L | | | 0 250 202 096 |
| BU60 | 08.89 - 05.95 | 4 | 3.0 | B | Chassis BU60 | 24V | GPT-228 |
| BU60/BU70V | 08.89 - 05.95 | 4 | 3.0 | B | Chassis BU60/BU70V | 24V | GPT-228 |
| LY151/LY161/ LY201/LY211 | 05.95 - 05.99 | 4 | 2.8 | 3L | | | 0 250 202 096 |
| | | | | | Chassis LY51/LY61 | GPT-223 | |
| BU100/BU105/ BU120V | 05.95 - 06.99 | 4 | 3.4 | 3B | Chassis BU100/BU100A, Chassis BU105/BU120V | | GPT-228 |
| LY102/12/22/32/ 52/62, LY202/12 | 05.99 - 07.01 | 4 | 3.0 | 5L | Chassis LY102/LY112/LY132, Chassis LY152/LY162/LY202, Chassis LY212 | | GPT-234 |
| LY212L | 05.99 - 08.01 | 4 | 3.0 | 5L | Chassis LY212 | | GPT-234 |
| LY212R,LY230R | 11.99→ | 4 | 3.0 | 5L | Chassis LY212 | | GPT-234 |
| XZU-302/-307/ -342 | 10.00 - 06.02 | 4 | 4.6 | SO5C | Chassis XZU302/ZU307 | | GPH-409 |
| Emina | | | | | | | |
| CXR10G/CXR11G | 01.92 - 08.93 | 4 | 2.2 | 3CT | Chassis CXR10G | | GPT-225 |
| CXR20G/CXR21G | 01.92 - 08.93 | 4 | 2.2 | 3CT | Chassis CXR20G/CXR21G | | GPT-225 |



◀ TOYOTA

| | | | | | | |
|------------------------------------|---------------|---|-----|-------|--|----------------|
| CXR10G/CXR11G | 08.93 - 12.99 | 4 | 2.2 | 3CTE | Chassis CXR10G | GPT-225 |
| CXR20G/CXR21G | 08.93 - 12.99 | 4 | 2.2 | 3CTE | Chassis CXR20G/CXR21G | GPT-225 |
| Gaia | | | | | | |
| CXM10G | 05.98 - 09.04 | 4 | 2.2 | 3CTE | Chassis CXM10G | GPT-225 |
| Granvia | | | | | | |
| KCH10W | 09.95 - 05.02 | 4 | 3.0 | 1KZTE | Chassis KCH10W | GPT-225 |
| KCH16W | 09.95 - 05.02 | 4 | 3.0 | 1KZTE | Chassis KCH16W | GPT-225 |
| Hiace | | | | | | |
| LH61/71 | 08.82 - 08.89 | 4 | 2.4 | 2L | Chassis LH61/LH71 | GPT-216 |
| LH50 | 12.82 - 01.84 | 4 | 2.2 | L | Chassis LH50V/LH50G | GPT-216 |
| LH51V/LH61V | 01.84 - 08.89 | 4 | 2.4 | 2L | Chassis LH51V/LH61V | GPT-216 |
| LH56V/LH66V | 08.86 - 08.89 | 4 | 2.4 | 2L | Chassis LH56V/LH66V | GPT-216 |
| LH80/LH90 | 08.88 - 05.95 | 4 | 2.4 | 2L | Chassis LH80/LH90 | GPT-223 |
| LH100G/LH110G/LH140G | 08.89 - 08.93 | 4 | 2.4 | 2L | Chassis LH100G, Chassis LH110G, Chassis LH140G | GPT-223 |
| LH102V | 08.89 - 08.93 | 4 | 2.4 | 2L | Chassis LH102V | GPT-223 |
| LH107G/LH107W/LH117G | 08.89 - 08.93 | 4 | 2.8 | 3L | Chassis LH107G/LH107W, Chassis LH117G | GPT-223 |
| LH118 | 08.89 - 08.95 | 4 | 2.4 | 2L | | GPT-223 |
| LH103 | 08.89 - 08.96 | 4 | 2.8 | 3L | | GPT-223 |
| LH103V/LH113K/LH113V/LH123V | 08.89 - 08.96 | 4 | 2.8 | 3L | Chassis LH103V/LH113K, Chassis LH113V/LH123V | GPT-223 |
| LH109V/LH119V/LH129V | 08.89 - 08.96 | 4 | 2.8 | 3L | Chassis LH109V/LH119V, Chassis LH129V | GPT-223 |
| LH113/115 | 08.89 - 08.96 | 4 | 2.8 | 3L | | GPT-223 |
| LH115B/LH125B | 08.89 - 08.96 | 4 | 2.8 | 3L | Chassis LH115B/LH125B | GPT-223 |
| LH103V/LH113K/LH113V/LH123V | 08.89 - 08.98 | 4 | 2.8 | 3L | | GPT-223 |
| LH109V/LH119V/LH129V | 08.89 - 08.98 | 4 | 2.8 | 3L | | GPT-223 |
| LH115B/LH125B | 08.89 - 08.98 | 4 | 2.8 | 3L | | GPT-223 |
| LH105 | 08.89 - 08.00 | 4 | 2.8 | 3L | | GPT-223 |
| LH103 | 09.89 - 08.96 | 4 | 2.8 | 3L | Chassis LH103 | GPT-223 |
| LH113/115 | 09.89 - 08.96 | 4 | 2.8 | 3L | Chassis LH113/LH115 | GPT-223 |
| LH85/LH95 | 10.89 - 05.95 | 4 | 2.4 | 2L | Chassis LH85/LH95 | GPT-223 |
| LH100G/LH120G | 10.90 - 08.93 | 4 | 2.4 | 2LTE | Chassis LH100G/LH120G | GPT-223 |
| KZH 106G/106W/116G/126G | 08.93 - 07.04 | 4 | 3.0 | 1KZTE | Chassis KZH106G/KZH106W, Chassis KZH116G/KZH126G | GPT-225 |
| KZH100G/KZH110G/KZH120G | 08.93 - 07.04 | 4 | 3.0 | 1KZTE | Chassis KZH100G/KZH110G, Chassis KZH120G | GPT-225 |
| LY101/LY111 | 05.95 - 10.96 | 4 | 2.8 | 3L | Chassis LY101/LY111 | GPT-223 |
| LY151/LY161 | 05.95 - 10.96 | 4 | 2.8 | 3L | Chassis LY151/LY161 | GPT-223 |
| YY101 | 05.95 - 10.96 | 4 | 2.0 | 3L | Chassis LH184B/LH186B | GPT-234 |
| KZH138V/KZH138S | 08.95 - 07.99 | 4 | 3.0 | 1KZTE | Chassis KZH138V | GPT-225 |
| KZH132V | 08.95 - 10.04 | 4 | 3.0 | 1KZTE | Chassis KZH132V | GPT-225 |
| LH115B/LH125B | 08.96 - 08.98 | 4 | 2.8 | 3L | Chassis LH125B | GPT-234 |
| LH103 | 09.96 - 08.98 | 4 | 2.8 | 3L | Chassis LH103 | GPT-234 |

| |  |  |  |  |  |  |  |  |
|--|---|---|---|---|---|---|--|---|
| LH103V/LH113K/ LH113V/LH123V | 09.96 - 08.98 | 4 | 2.8 | 3L | Chassis LH103V/LH113K, Chassis LH113V/LH123V | | GPT-234 | |
| LH109V/LH119V/ LH129V | 09.96 - 08.98 | 4 | 2.8 | 3L | Chassis LH109V/LH119V, Chassis LH129V | | GPT-234 | |
| LH113/115 | 09.96 - 08.98 | 4 | 2.8 | 3L | Chassis LH113 | | GPT-234 | |
| LH162V/LH172K/ LH172V/LH182K | 08.98 - 10.04 | 4 | 3.0 | 5L | Chassis LH162V/LH172K, Chassis LH172V/LH182K | | GPT-234 | |
| LH168V/LH178V/ LH188K | 08.98 - 10.04 | 4 | 3.0 | 5L | Chassis LH168V/LH178V, Chassis LH188K | | GPT-234 | |
| LH174/184 | 08.98 - 02.05 | 4 | 3.0 | 5L | Chassis LH174/184 | | GPT-234 | |
| | 02.99 - 02.05 | 4 | 3.0 | 5L | Chassis LH184 | | GPT-234 | |
| KCH10W | 07.99 - 05.02 | 4 | 3.0 | 1KZTE | Chassis KCH10W | | GPT-225 | |
| KCH16W | 07.99 - 05.02 | 4 | 3.0 | 1KZTE | Chassis KCH16W | | GPT-225 | |
| LH162/172 | 08.01 - 02.05 | 4 | 3.0 | 5LE | Chassis LH162/LH172 | | GPT-234 | |
| KLH12/22 | 08.01 → | 4 | 2.5 | 2KDFTV | Chassis KLH12/KLH22 | 12V | GPT-901 | 0 250 202 125 |
| KDH200K/ KDH200V/ KDH220K | 08.04 - 09.07 | 4 | 2.5 | 2KDFTV | Chassis KDH200K/KDH200V, Chassis /KDH220K | | GPT-901 | 0 250 202 125 |
| KDH205K/ KDH205V/ KDH225K | 08.04 - 09.07 | 4 | 2.5 | 2KDFTV | Chassis KDH205V/KDH225K | | GPT-901 | 0 250 202 125 |
| KDH200R; KDH212R; KDH220R | 03.05 → | 4 | 2.5 | 2KDFTV | Chassis KDH200R/ KDH212R, Chassis KDH220R | 12V | GPT-901 | 0 250 202 125 |
| KDH212R, KDH222R | 03.05 → | 4 | 2.5 | 2KDFTV | Chassis KDH212R/ KDH222R | 12V | GPT-901 | 0 250 202 125 |
| Hiace Commuter | | | | | | | | |
| LH184B/LH186B | 08.98 - 10.04 | 4 | 3.0 | 5L | Chassis LH184B/LH186B | | GPT-234 | |
| Hilux | | | | | | | | |
| LN30 | 09.79 - 07.83 | 4 | 2.2 | L | | | | 0 250 202 096 |
| | 12.79 - 10.81 | 4 | 2.2 | L | Chassis LN30 | | GPT-215 | |
| | 08.80 - 12.87 | 4 | 2.2 | L | | | | 0 250 202 096 |
| LN40 | 09.80 - 08.81 | 4 | 2.2 | L | | | | 0 250 202 096 |
| | 09.80 - 10.81 | 4 | 2.2 | L | Chassis LN40 | 12V | GPT-215 | |
| | 09.80 - 07.83 | 4 | 2.2 | L | Chassis LN40 | 24V | GPT-210 | |
| LN36 | 08.81 - 07.83 | 4 | 2.2 | L | | | | 0 250 202 096 |
| LN46 | 08.81 - 08.83 | 4 | 2.2 | L | Chassis LN46 | 12V | GPT-216 | |
| | | | | | | 24V | GPT-210 | |
| LN40 | 09.81 - 08.83 | 4 | 2.2 | L | | | | 0 250 202 054 |
| | 11.81 - 07.83 | 4 | 2.2 | L | Chassis LN40 | 12V | GPT-216 | |
| LN50/55 | 11.83 - 08.84 | 4 | 2.2 | L | Chassis LN55 | 12V | GPT-216 | |
| | | | | | | 24V | GPT-219 | |
| LN51/56/60/ 61/65 | 08.84 - 07.98 | 4 | 2.4 | 2L | Chassis LN56/LN60/LN65 | 12V | GPT-216 | |
| | | | | | | 24V | GPT-219 | |
| LN85 | 08.88 - 08.97 | 4 | 2.4 | 2L | Chassis LN85 | | GPT-223 | |
| LN80/LN85 | 09.88 - 08.94 | 4 | 2.4 | 2L | Chassis LN80/LN85 | | GPT-223 | 0 250 202 096 |
| LN85 | 09.88 - 08.97 | 4 | 2.4 | 2L | | | | 0 250 202 096 |
| LN100/LN106/ LN107/LN109 | 09.88 - 08.97 | 4 | 2.8 | 3L | Chassis LN100/LN106 | | GPT-223 | 0 250 202 096 |
| LN105 | 09.88 - 08.97 | 4 | 2.4 | 2L | | | | 0 250 202 096 |
| LN106R, 107R, 111R | 10.88 - 12.97 | 4 | 2.8 | 3L | Chassis LN106 | | GPT-223 | 0 250 202 096 |
| LN130 | 01.90 - 11.95 | 4 | 2.4 | 2LT | Chassis LN130 | | GPT-223 | 0 250 202 096 |



◀ TOYOTA

| | | | | | | | |
|--|---------------|---|-----|--------|--|--|----------------------|
| LN57/67 | 08.95 - 07.98 | 4 | 2.8 | 3L | | | 0 250 202 096 |
| | | | | | Chassis LN100/LN106/ LN131V | GPT-223 | |
| LN67R | 10.95 - 08.98 | 4 | 2.8 | 3L | | | 0 250 202 096 |
| LN165/LN165H/ LN170H | 08.97 - 08.99 | 4 | 2.4 | 2LTE | | Chassis LN165/LN170H | GPT-234 |
| LN167/LN172H | 08.97 - 06.04 | 4 | 3.0 | 5L | | Chassis LN167/LN172H | GPT-234 |
| LN167R, 172R | 10.97 - 02.05 | 4 | 3.0 | 5L | | Chassis LN167/LN172H | GPT-234 |
| RZN147R, 149R, 154R | 10.97 - 02.05 | 4 | 2.7 | 3RZFE | | | 0 250 202 096 |
| | | | | | Chassis LH100G/LH110G, Chassis LH140G | GPT-223 | |
| LN167R | 10.98 - 06.00 | 4 | 3.0 | 5L | | | GPT-234 |
| | | | | | Chassis LN167 | GPT-234 | |
| | 11.00 - 05.02 | 4 | 3.0 | 5LE | | | GPT-234 |
| | | | | | Chassis LN167R | GPT-234 | |
| Hilux Surf | | | | | | | |
| LN131V | 04.89 - 08.93 | 4 | 2.8 | 3L | | | 0 250 202 096 |
| | | | | | Chassis LN131V | GPT-223 | |
| LN130G/LN130W | 08.90 - 08.93 | 4 | 2.4 | 2LTE | | | 0 250 202 096 |
| | | | | | Chassis LN130G | GPT-223 | |
| KZN130G/ KZN130W | 08.93 - 11.95 | 4 | 3.0 | 1KZTE | | Chassis KZN130W | GPT-225 |
| KZN185G/ KZN185W | 08.97 - 08.00 | 4 | 3.0 | 1KZTE | | Chassis KZN185 | GPT-225 |
| KZN185W | 08.97 - 08.00 | 4 | 3.0 | 1KZTE | | Chassis KZN185 | GPT-225 |
| KDN185G/ KDN185W | 06.00 - 11.02 | 4 | 3.0 | 1KDFTV | | | 0 250 202 125 |
| | | | | | Chassis KDN185 | GPT-901 | |
| Ipsium | | | | | | | |
| CXM10G | 09.97 - 05.01 | 4 | 2.2 | 3CTE | | Chassis CXM10G | GPT-225 |
| Land Cruiser | | | | | | | |
| BJ40 | 02.74 - 07.80 | 4 | 3.0 | B | | Chassis BJ40 | GPT-208 |
| | 01.75 - 02.79 | 4 | 3.0 | B | | Chassis BJ40 | GPT-207 |
| | 08.80 - 10.81 | 4 | 3.0 | B | | | 0 250 202 119 |
| HJ60 | 08.80 - 08.87 | 6 | 4.0 | 2H | | Chassis HJ60V | GPT-217 |
| BJ40 | 11.81 - 10.84 | 4 | 3.0 | B | | | 0 250 202 119 |
| BJ42 | 11.81 - 10.84 | 4 | 3.4 | 3B | | Chassis BJ42 | GPT-218 |
| | | | | | | | GPT-217 |
| HJ60 | 10.82 - 08.87 | 6 | 4.0 | 2H | | Chassis HJ60V | GPT-228 |
| BJ70 | 11.84 - 01.90 | 4 | 3.4 | 3B | | Chassis BJ70 | GPT-218 |
| | | | | | | | GPT-228 |
| BJ73 | 11.84 - 01.90 | 4 | 3.4 | 3B | | Chassis BJ73 | GPT-218 |
| | 11.84 - 02.94 | 4 | 3.4 | 3B | | Chassis BJ73 | GPT-228 |
| LJ70 | 10.85 - 12.89 | 4 | 2.4 | 2LT | | | 0 250 202 096 |
| LJ73 | 10.85 - 12.89 | 4 | 2.4 | 2LT | | | 0 250 202 096 |
| HJ60 | 08.87 - 08.88 | 6 | 4.0 | 2H | | Chassis HJ60V | GPT-217 |
| | 09.88 - 01.90 | 6 | 4.0 | 2H | | | 0 250 202 097 |
| PZJ70 | 01.90 - 08.92 | 5 | 3.5 | 1PZ | | | 0 250 202 097 |
| | | | | | Chassis PZJ70 | 24V | GPT-228 |
| PZJ73 | 01.90 - 08.92 | 5 | 3.5 | 1PZ | | | 0 250 202 097 |
| PZJ70/PZJ70V/ PZJ77V | 01.90 - 01.94 | 5 | 3.5 | 1PZ | | Chassis PZJ70/PZJ70V, Chassis PZJ77V | GPT-228 |
| LJ73 | 01.90 - 08.94 | 4 | 2.4 | 2LT | | | 0 250 202 096 |
| HDJ80 | 01.90 - 01.95 | 6 | 4.2 | 1HDT | | | GPT-223 |
| LJ70 | 01.90 - 01.95 | 4 | 2.4 | 2LT | | | 0 250 202 096 |
| HZJ70/HZJ70V/ HZJ73V/HZJ77V | 08.91 - 08.99 | 6 | 4.2 | 1HZ | | Chassis HZJ70/HZJ70V, Chassis HZJ73V/HZJ77V | GPT-228 |
| HZJ75 | 08.92 - 08.99 | 6 | 4.2 | 1HZ | | Chassis HZJ75 | GPT-220 |
| KZJ90/95 | 04.96 - 09.02 | 4 | 3.0 | 1KZTE | | Chassis KZJ90W/KZJ95W | GPT-225 |
| HZJ78, 79, 105 | 03.98→ | 6 | 4.2 | 1HZ | | Chassis HXJ79 | GPT-902 |



| | | | | | | | |
|---------------|---------------|---|-----|--------|------------------------|----------------|----------------------|
| HZJ70 | 06.98 - 08.99 | 6 | 4.2 | 1HZ | Chassis HZJ70 | GPT-228 | |
| HZJ73 | 06.98 - 08.99 | 6 | 4.2 | 1HZ | Chassis HZJ73V/HZJ73VH | GPT-228 | |
| HZJ79 | 08.99 - 08.01 | 6 | 4.2 | 1HZ | Chassis HZJ79 | GPT-902 | |
| HZJ79R | 03.00→ | 6 | 4.2 | 1HZ | Chassis HZJ79R | GPT-902 | |
| KDJ125 | 09.02→ | 4 | 3.0 | 1KDFTV | | | 0 250 202 125 |
| | | | | | Chassis KDJ125 | GPT-901 | |

Land Cruiser Prado

| | | | | | | | |
|---|---------------|---|-----|--------|--|----------------|----------------------|
| LJ71G/LJ78G/ LJ78W | 04.90 - 05.93 | 4 | 2.4 | 2LTE | | | 0 250 202 096 |
| | | | | | Chassis LJ71G/LJ78G | GPT-223 | |
| KZJ71G/KZJ71W/ KZJ78G/KZJ78W | 05.93 - 04.96 | 4 | 3.0 | 1KZTE | Chassis KZJ71G/KZJ71W, Chassis /KZJ78G/KZJ78W | GPT-225 | |
| KZJ90W/KZJ95W | 04.96 - 08.00 | 4 | 3.0 | 1KZTE | Chassis KZJ90W/KZJ95W | GPT-225 | |
| KZJ95 | 03.00 - 09.02 | 6 | 3.0 | 1KZTE | Chassis KZJ95W | GPT-225 | |
| KDJ90W/KDJ95W | 08.00 - 11.02 | 4 | 3.0 | 1KDFTV | Chassis KDJ90/KDJ95/ KDJ95W | GPT-901 | 0 250 202 125 |
| KZJ120R, KDJ150 / 155 | 09.02→ | 4 | 3.0 | 1KDFTV | Chassis KZJ120R | GPT-225 | |

Liteace

| | | | | | | | |
|----------------------------|---------------|---|-----|------|---------------------|----------------|----------------------|
| CM20 | 10.82 - 08.85 | 4 | 1.8 | 1C | Chassis CM20 | GPT-212 | |
| CM30G | 08.87 - 01.92 | 4 | 2.0 | 2C | | | 0 250 202 095 |
| | | | | | Chassis CM30G | GPT-222 | |
| | | | | 2CT | | | 0 250 202 095 |
| | | | | | Chassis CM30G | GPT-222 | |
| CM31V/CM36V | 08.87 - 01.92 | 4 | 2.0 | 2C | | | 0 250 202 095 |
| | | | | | Chassis CM31V/CM36V | GPT-222 | |
| CM40G | 08.87 - 01.92 | 4 | 2.0 | 2CT | | | 0 250 202 095 |
| | | | | | Chassis CM40G | GPT-222 | |
| CM41V | 08.87 - 01.92 | 4 | 2.0 | 2C | | | 0 250 202 095 |
| | | | | | Chassis CM41V | GPT-222 | |
| CM51/CM52/ CM55 | 08.87 - 06.99 | 4 | 2.0 | 2C | | | 0 250 202 095 |
| | | | | | Chassis CM51/CM55 | GPT-222 | |
| CM60/CM61/ CM65 | 08.87 - 06.99 | 4 | 2.0 | 2C | | | 0 250 202 095 |
| | | | | | Chassis CM60/CM65 | GPT-222 | |
| CM30 | 08.88 - 01.92 | 4 | 2.0 | 2C | | | 0 250 202 095 |
| | | | | | Chassis CM30 | GPT-222 | |
| CM36 | 08.88 - 01.92 | 4 | 2.0 | 2C | | | 0 250 202 095 |
| | | | | | Chassis CM36 | GPT-222 | |
| CR27V | 01.92 - 10.96 | 4 | 2.0 | 2C | Chassis CR27V | GPT-212 | |
| CR31G/CR38G | 09.93 - 10.96 | 4 | 2.2 | 3CT | Chassis CR31G/CR38G | GPT-225 | |
| CR22G/CR29G | 08.94 - 10.96 | 4 | 2.2 | 3CT | Chassis CR22G/CR29G | GPT-225 | |
| CR40G | 10.96 - 12.98 | 4 | 2.2 | 3CT | Chassis CR40G | GPT-225 | |
| CR50G | 10.96 - 12.98 | 4 | 2.2 | 3CT | Chassis CR50G | GPT-225 | |
| CR41V | 11.96 - 12.98 | 4 | 2.0 | 2C | | | 0 250 202 095 |
| | | | | | Chassis CR41V | GPT-233 | |
| CR51V | 11.96 - 12.98 | 4 | 2.0 | 2C | | | 0 250 202 095 |
| | | | | | Chassis CR51V | GPT-233 | |
| CR50G | 12.98 - 10.01 | 4 | 2.2 | 3CTE | Chassis CR50G | GPT-225 | |
| CR40G | 12.98 - 11.01 | 4 | 2.2 | 3CTE | Chassis CR40G | GPT-225 | |

Lucida

| | | | | | | | |
|----------------------|---------------|---|-----|------|-----------------------|----------------|--|
| CXR10G/CXR11G | 01.92 - 08.93 | 4 | 2.2 | 3CT | Chassis CXR10G | GPT-225 | |
| CXR20G/CXR21G | 01.92 - 08.93 | 4 | 2.2 | 3CT | Chassis CXR20G/CXR21G | GPT-225 | |
| CXR10G/CXR11G | 08.93 - 12.99 | 4 | 2.2 | 3CTE | Chassis CXR10G | GPT-225 | |
| CXR20G/CXR21G | 08.93 - 12.99 | 4 | 2.2 | 3CTE | Chassis CXR20G/CXR21G | GPT-225 | |

Mark II

| | | | | | | | |
|-------------------|---------------|---|-----|-----|--------------|----------------|----------------------|
| LX80/LX80Y | 08.88 - 02.93 | 4 | 2.4 | 2LT | | | 0 250 202 096 |
| | | | | | Chassis LX80 | GPT-223 | |
| | 08.88 - 08.93 | 4 | 2.4 | 2L | | | 0 250 202 096 |
| | | | | | Chassis LX80 | GPT-223 | |



◀ TOYOTA

| | | | | | | |
|--|---------------|---|-----|---------|---|----------------------|
| LX90 | 10.92 - 09.96 | 4 | 2.4 | 2LTE | Chassis LX90 | GPT-235 |
| LX100 | 09.96 - 08.99 | 4 | 2.4 | 2LTE | Chassis LX100 | GPT-235 |
| Masterace | | | | | | |
| CR21G/CR28G | 08.87 - 09.93 | 4 | 2.0 | 2CT | Chassis CR21G/CR28G | GPT-222 |
| CR30G/CR37G | 08.87 - 09.93 | 4 | 2.0 | 2CT | Chassis CR30G/CR37G | GPT-222 |
| Premio | | | | | | |
| CT210 | 01.96 - 12.97 | 4 | 2.0 | 2CT | Chassis CT210 | GPT-233 |
| CT215 | 01.96 - 12.97 | 4 | 2.0 | 2CT | Chassis CT215 | GPT-233 |
| CT211 | 12.97 - 12.01 | 4 | 2.2 | 3CTE | Chassis CT211 | GPT-225 |
| CT216 | 12.97 - 12.01 | 4 | 2.2 | 3CTE | Chassis CT216 | GPT-225 |
| RAV4 2.2 D-4D 4x4 | | | | | | |
| ALA30 | 11.05→ | 4 | 2.2 | 2AD-FTV | | F 01G 09P 221 |
| Regius | | | | | | |
| KCH40G/KCH40W | 04.97 - 05.02 | 4 | 3.0 | 1KZTE | Chassis KCH40 | GPT-225 |
| KCH46G/KCH46W | 04.97 - 05.02 | 4 | 3.0 | 1KZTE | Chassis KCH46 | GPT-225 |
| LXH43V | 06.97 - 05.02 | 4 | 3.0 | 5L | Chassis LXH43 | GPT-234 |
| Regiusace | | | | | | |
| LH162V/LH172K/ LH172V/LH182K | 07.99 - 06.04 | 4 | 3.0 | 5L | Chassis LH162V/LH172K, Chassis LH172V/LH182K | GPT-234 |
| LH168V/LH178V/ LH188K | 07.99 - 06.04 | 4 | 3.0 | 5L | Chassis LH168V/LH178V, Chassis LH188K | GPT-234 |
| KDH200K/ KDH200V/ KDH220K | 08.04 - 09.07 | 4 | 2.5 | 2KDFTV | Chassis KDH200K/KDH200V, Chassis /KDH220K | GPT-901 |
| KDH205K/ KDH205V/ KDH225K | 08.04 - 09.07 | 4 | 2.5 | 2KDFTV | Chassis KDH205V/KDH225K | GPT-901 |
| Sprinter | | | | | | |
| CE90 | 05.87 - 06.91 | 4 | 1.8 | 1C | Chassis CE90 | GPT-222 |
| CE100 | 06.91 - 05.95 | 4 | 2.0 | 2C | Chassis CE100 | GPT-222 |
| CE106V | 09.91 - 04.98 | 4 | 2.0 | 2C | Chassis CE106V | GPT-222 |
| CE108G | 09.91 - 04.98 | 4 | 2.0 | 2C | Chassis CE108G | GPT-222 |
| CE109V | 09.91 - 04.98 | 4 | 2.0 | 2C | Chassis CE109V | GPT-222 |
| CE110 | 05.95 - 04.98 | 4 | 2.0 | 2C | Chassis CE110 | GPT-222 |
| CE114 | 05.95 - 04.98 | 4 | 2.0 | 2C | Chassis CE114 | GPT-222 |
| CE113 | 04.98 - 08.00 | 4 | 2.2 | 3CE | Chassis CE113 | GPT-233 |
| CE116 | 04.98 - 08.00 | 4 | 2.2 | 3CE | Chassis CE116 | GPT-233 |
| CE105V | 04.98 - 06.02 | 4 | 2.2 | 3CE | Chassis CE105V | GPT-233 |
| CE107V | 04.98 - 06.02 | 4 | 2.2 | 3CE | Chassis CE107V | GPT-233 |

**Sprinter Wagon**

| | | | | | | |
|---------------|---------------|---|-----|-----|----------------|----------------------|
| CE102G | 04.98 - 06.02 | 4 | 2.2 | 3CE | | 0 250 202 095 |
| | | | | | Chassis CE102G | GPT-233 |

Starlet

| | | | | | | |
|-------------|---------------|---|-----|----|--------------|----------------------|
| NP80 | 12.89 - 09.95 | 4 | 1.5 | 1N | | 0 250 202 096 |
| | | | | | Chassis NP80 | GPT-223 |
| NP90 | 01.96 - 07.99 | 4 | 1.5 | 1N | Chassis NP90 | GPT-234 |

Tarago

| | | | | | | |
|-------------|---------------|---|-----|----|--|----------------|
| CR21 | 05.83 - 07.88 | 4 | 2.0 | 2C | | GPT-212 |
|-------------|---------------|---|-----|----|--|----------------|

Tercel

| | | | | | | |
|-----------------------|---------------|---|-----|-----|--------------|----------------------|
| NL30/NL40/NL50 | 05.86 - 08.90 | 4 | 1.5 | 1NT | Chassis NL30 | GPT-216 |
| | 05.86 - 07.99 | 4 | 1.5 | 1NT | | 0 250 202 096 |
| | 09.90 - 08.94 | 4 | 1.5 | 1NT | Chassis NL40 | GPT-223 |
| | 09.94 - 07.99 | 4 | 1.5 | 1NT | Chassis NL50 | GPT-234 |

Touring Hiace

| | | | | | | |
|---------------|---------------|---|-----|-------|----------------|----------------|
| KCH40W | 07.99 - 05.02 | 4 | 3.0 | 1KZTE | Chassis KCH40W | GPT-225 |
| KCH46W | 07.99 - 05.02 | 4 | 3.0 | 1KZTE | Chassis KCH46W | GPT-225 |

Townace

| | | | | | | |
|-----------------------|---------------|---|-----|------|---------------------|----------------------|
| CR21G/CR28G | 08.87 - 09.93 | 4 | 2.0 | 2CT | | 0 250 202 095 |
| | | | | | Chassis CR21G/CR28G | GPT-222 |
| CR30G/CR37G | 08.87 - 09.93 | 4 | 2.0 | 2CT | | 0 250 202 095 |
| | | | | | Chassis CR30G/CR37G | GPT-222 |
| CR27V | 08.87 - 10.96 | 4 | 2.0 | 2C | Chassis CR27V | GPT-222 |
| CR36V | 08.87 - 10.96 | 4 | 2.0 | 2C | Chassis CR36V | GPT-222 |
| CM51/CM52/CM55 | 08.87 - 06.99 | 4 | 2.0 | 2C | Chassis CM51/CM55 | GPT-222 |
| CM60/CM61/CM65 | 08.87 - 06.99 | 4 | 2.0 | 2C | Chassis CM60/CM65 | GPT-222 |
| CR22G/CR29G | 09.93 - 10.96 | 4 | 2.2 | 3CT | Chassis CR22G/CR29G | GPT-225 |
| CR31G/CR38G | 09.93 - 10.96 | 4 | 2.2 | 3CT | Chassis CR31G/CR38G | GPT-225 |
| CR50G | 10.96 - 12.98 | 4 | 2.2 | 3CT | Chassis CR50G | GPT-225 |
| CR41V | 11.96 - 12.98 | 4 | 2.0 | 2C | | 0 250 202 095 |
| | | | | | Chassis CR41V | GPT-233 |
| CR51V | 11.96 - 12.98 | 4 | 2.0 | 2C | Chassis CR51V | GPT-233 |
| CR40G | 12.98 - 11.01 | 4 | 2.2 | 3CTE | Chassis CR40G | GPT-225 |
| CR50G | 12.98 - 11.01 | 4 | 2.2 | 3CTE | Chassis CR50G | GPT-225 |

Townace Noah

| | | | | | | |
|--------------|---------------|---|-----|-----|---------------|----------------|
| CR40G | 10.96 - 12.98 | 4 | 2.2 | 3CT | Chassis CR40G | GPT-225 |
|--------------|---------------|---|-----|-----|---------------|----------------|

Toyoace

| | | | | | | | |
|-------------|---------------|---|-----|----|--------------|-----|----------------------|
| JY16 | 12.75 - 02.79 | 4 | 2.5 | 2J | Chassis JY16 | 12V | GPT-208 |
| | | | | | | 24V | GPT-207 |
| | | | | | | | 0 250 202 119 |
| LY20 | 03.79 - 03.80 | 4 | 2.2 | L | Chassis LY20 | 12V | 0 250 202 096 |
| JY30 | 03.79 - 08.80 | 4 | 2.5 | 2J | Chassis JY30 | 24V | 0 250 202 119 |
| | | | | | | 12V | GPT-208 |
| | | | | | | 24V | GPT-207 |
| LY20 | 04.80 - 01.82 | 4 | 2.2 | L | Chassis LY20 | 12V | GPT-215 |
| | | | | | | 24V | GPT-210 |
| JY30 | 09.80 - 01.82 | 4 | 2.5 | 2J | Chassis JY30 | 12V | GPT-218 |



◀ TOYOTA

| | | | | | | | |
|---------------------------------------|---------------|---|-----|--------|---|------------|--|
| JY30 | 02.82 - 08.83 | 4 | 2.5 | 2J | Chassis JY30 | 12V 24V | GPT-214 GPT-213 GPT-217 |
| LY31 | 08.83 - 07.85 | 4 | 2.5 | 2L OHC | Chassis LY31 | 12V 24V | GPT-216 GPT-219 |
| BU60 | 08.85 - 08.88 | 4 | 3.0 | B | Chassis BU60 | | GPT-217 |
| LY50/LY60 | 08.85 - 08.88 | 4 | 2.4 | 2L | Chassis LY50 | | GPT-216 |
| | 08.88 - 05.95 | 4 | 2.4 | 2L | Chassis LY50 | | GPT-223 |
| LY51/61/101/111/121/131 | 08.88 - 05.95 | 4 | 2.8 | 3L | Chassis LY51/LY61 | | GPT-223 |
| | 08.88 - 05.99 | 4 | 2.8 | 3L | | | 0 250 202 096 |
| BU60 | 09.88 - 05.95 | 4 | 3.0 | B | Chassis BU60 | | GPT-228 |
| LY50/LY60 | 09.88 - 05.95 | 4 | 2.4 | 2L | | | 0 250 202 096 |
| LY51/61/101/111/121/131 | 05.95 - 05.99 | 4 | 2.8 | 3L | Chassis LY131 | | GPT-223 |
| BU100/BU105 | 05.95 - 06.99 | 4 | 3.4 | 3B | Chassis BU100/BU105 | | GPT-228 |
| LY102/12/22/32/52/62, LY202/12 | 05.99 - 07.01 | 4 | 3.0 | 5L | Chassis LY102/LY112/LY132, Chassis LY152/LY162/LY202, Chassis LY212 | | GPT-234 |

| | | | | | | | |
|--------------|---------------|---|-----|-----|--------------|--|--|
| Vista | | | | | | | |
| CV30 | 07.90 - 06.94 | 4 | 2.0 | 2CT | Chassis CV30 | | 0 250 202 095 GPT-222 |
| CV40 | 06.94 - 06.98 | 4 | 2.2 | 3CT | Chassis CV40 | | GPT-225 |
| CV43 | 01.95 - 06.98 | 4 | 2.2 | 3CT | Chassis CV43 | | GPT-225 |

VOLVO

| | | | | | | | |
|------------|--------|---|-----|----------|----------------|--|----------------------|
| C30 | | | | | | | |
| | 10.06→ | 5 | 2.4 | D5244T.. | Chassis →62745 | | 0 250 403 001 |
| | | | | | Chassis 62746→ | | 0 250 603 008 |

| | | | | | | | |
|-------------|--------|---|-----|---------|-----------------|--|----------------------|
| S40 | | | | | | | |
| P 11 | 03.06→ | 5 | 2.4 | D5244T8 | Chassis →380303 | | 0 250 403 001 |
| | | | | | Chassis 380304→ | | 0 250 603 008 |

| | | | | | | | |
|---------------|---------------|---|-----|---------|--|--|----------------------|
| S80 II | | | | | | | |
| | 03.06 - 07.09 | 5 | 2.4 | D5244T4 | | | 0 250 403 001 |

| | | | | | | | |
|-------------|--------|---|-----|---------|-----------------|--|----------------------|
| V50 | | | | | | | |
| P 12 | 04.06→ | 5 | 2.4 | D5244T8 | Chassis →396178 | | 0 250 403 001 |
| | | | | | Chassis 396179→ | | 0 250 603 008 |

| | | | | | | | |
|--------------------|---------------|---|-----|---------|--|--|----------------------|
| XC60 D5 AWD | | | | | | | |
| | 03.09 - 07.09 | 5 | 2.4 | D5244T4 | | | 0 250 403 001 |

| | | | | | | | |
|-------------|---------------|---|-----|---------|--|--|----------------------|
| XC70 | | | | | | | |
| | 08.07 - 07.09 | 5 | 2.4 | D5244T4 | | | 0 250 403 001 |

| | | | | | | | |
|-------------|--------|---|-----|---------|--|--|----------------------|
| XC90 | | | | | | | |
| | 05.05→ | 5 | 2.4 | D5244T4 | | | 0 250 403 001 |

VW (VOLKSWAGEN)

| | | | | | | | |
|--------------|--------|---|-----|-----|--|--|----------------------|
| Caddy | | | | | | | |
| 2K | 02.04→ | 4 | 1.9 | BJB | | | 0 250 402 001 |
| | 06.05→ | 4 | 1.9 | BLS | | | 0 250 402 001 |



| Caravelle | | | | | | |
|--------------------|---------------|---|-----|------|-----|--------------------------------|
| 70, 7D | 01.95 - 06.03 | 5 | 2.5 | ACV | | 0 250 202 022 |
| | 05.99 - 06.03 | 0 | 2.5 | AUF | | 0 250 202 022 |
| Eos | | | | | | |
| 1F7 | 05.06 - 05.08 | 4 | 2.0 | BMM | | 0 250 402 001 |
| | 05.08→ | 4 | 2.0 | CBAB | | 0 250 403 007 |
| Golf I | | | | | | |
| 17 | 08.77 - 07.80 | 4 | 1.5 | CK | | 0 250 201 032 0 250 201 046 |
| Golf III | | | | | | |
| 1H5 | 07.93 - 07.96 | 4 | 1.9 | 1Z | KER | 0 250 201 036 |
| | | | | | MOR | 0 250 202 022 |
| 1H1 | 09.93 - 07.96 | 4 | 1.9 | 1Z | KER | 0 250 201 036 |
| | | | | | MOR | 0 250 202 022 |
| 1H5 | 10.94 - 07.96 | 4 | 1.9 | 1Z | KER | 0 250 201 036 |
| | | | | | MOR | 0 250 202 022 |
| 1H1 | 03.95 - 07.96 | 4 | 1.9 | 1Z | KER | 0 250 201 036 |
| | | | | | MOR | 0 250 202 022 |
| Golf III Cabriolet | | | | | | |
| 1E7 | 08.95 - 07.96 | 4 | 1.9 | 1Z | KER | 0 250 201 036 |
| | | | | | MOR | 0 250 202 022 |
| Golf V | | | | | | |
| 1K1 | 10.03 - 02.06 | 4 | 1.9 | BKC | | 0 250 402 001 |
| | 10.03 - 11.08 | 4 | 2.0 | BKD | | 0 250 403 002 |
| | 12.04 - 11.08 | 4 | 2.0 | BMM | | 0 250 402 001 |
| | 02.06 - 11.08 | 4 | 1.9 | BXE | | 0 250 402 001 |
| Golf V Variant | | | | | | |
| 1K5 | 05.07 - 05.08 | 4 | 2.0 | BKD | | 0 250 403 002 |
| | | | | BMM | | 0 250 402 001 |
| Golf VI | | | | | | |
| 5K1 | 10.08→ | 4 | 2.0 | CBAB | | 0 250 403 007 |
| | 12.08→ | 4 | 1.6 | CAYC | | 0 250 403 007 |
| Jetta | | | | | | |
| 1K2 | 08.05 - 06.08 | 4 | 2.0 | BKD | | 0 250 403 002 |
| | 10.05 - 06.08 | 4 | 2.0 | BMM | | 0 250 402 001 |
| LT | | | | | | |
| 2D, 2H | 05.99 - 04.06 | 5 | 2.5 | ANJ | | 0 250 202 022 |
| Multivan | | | | | | |
| 7H | 02.03 - 11.09 | 5 | 2.5 | AXE | | 0 250 202 023 |
| New Beetle | | | | | | |
| 1C1, 9C1 | 07.05→ | 4 | 1.9 | BSW | | 0 250 202 023 |
| Passat | | | | | | |
| 32/33 | 08.77 - 07.80 | 4 | 1.5 | CK | | 0 250 201 032 0 250 201 046 |
| | | | | | | |
| 3C2 | 05.07 - 06.08 | 4 | 2.0 | BKP | | 0 250 403 002 |
| 3C5 | 05.07 - 06.08 | 4 | 2.0 | BKP | | 0 250 403 002 |
| | 01.08→ | 4 | 2.0 | CBAB | | 0 250 403 007 |
| 3C2 | 05.08→ | 4 | 2.0 | CBAB | | 0 250 403 007 |



◀ VW

| | | | | | |
|------------|--------|---|-----|------|----------------------|
| 3C2 | 05.08→ | 4 | 2.0 | CBBB | 0 250 403 007 |
| 3C5 | 05.08→ | 4 | 2.0 | CBBB | 0 250 403 007 |

Polo

| | | | | | |
|------------|---------------|---|-----|-----|----------------------|
| 9N3 | 04.05 - 12.09 | 4 | 1.9 | AXR | 0 250 202 023 |
|------------|---------------|---|-----|-----|----------------------|

Tiguan

| | | | | | |
|------------|--------|---|-----|------|----------------------|
| 5N1 | 11.07→ | 4 | 2.0 | CBAB | 0 250 403 007 |
|------------|--------|---|-----|------|----------------------|

Touareg

| | | | | | |
|------------|---------------|----|-----|------|----------------------|
| 7LA | 11.02 - 11.06 | 10 | 5.0 | AYH | 0 250 202 023 |
| | 01.03 - 11.06 | 5 | 2.5 | BAC | 0 250 202 023 |
| | 11.04 - 11.06 | 6 | 3.0 | BKS | 0 250 403 007 |
| 7L6 | 12.06 - 05.08 | 6 | 3.0 | BKS | 0 250 403 007 |
| | 01.08→ | 6 | 3.0 | CASC | 0 250 403 007 |

Transporter

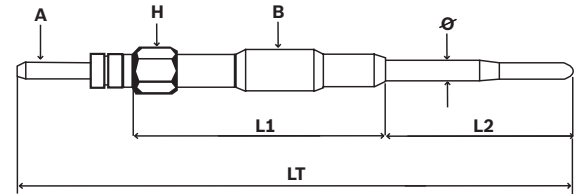
| | | | | | |
|---------------|---------------|---|-----|-----|----------------------|
| 70, 7D | 09.90 - 09.98 | 5 | 2.4 | AAB | 0 250 201 032 |
| | | | | | 0 250 201 046 |
| | 01.95 - 06.03 | 5 | 2.5 | ACV | 0 250 202 022 |
| | 05.99 - 06.03 | 5 | 2.5 | AUF | 0 250 202 022 |
| | 04.01 - 06.03 | 5 | 2.5 | AXL | 0 250 202 022 |
| 7H | | | | AYC | 0 250 202 022 |
| | 02.03 - 11.09 | 5 | 2.5 | AXD | 0 250 202 023 |
| | | | | AXE | 0 250 202 023 |
| | 04.03 - 11.09 | 4 | 1.9 | AXB | 0 250 202 023 |
| | | | | AXC | 0 250 202 023 |
| 7J | 04.03 - 11.09 | 4 | 1.9 | AXB | 0 250 202 023 |
| | | 5 | 2.5 | AXD | 0 250 202 023 |
| | 01.04 - 11.09 | 5 | 2.5 | AXE | 0 250 202 023 |
| 7H | 07.04 - 11.09 | 5 | 2.5 | AXD | 0 250 202 023 |
| | | | | AXE | 0 250 202 023 |
| 7J | 07.04 - 11.09 | 5 | 2.5 | AXD | 0 250 202 023 |
| | | | | AXE | 0 250 202 023 |
| | 06.06 - 11.09 | 4 | 1.9 | BRS | 0 250 402 001 |



Glow Plug Dimensions and Picture References



Glow Plug Dimensions

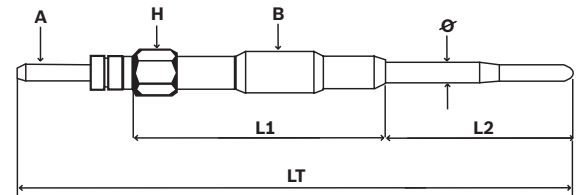


| Part Number | Voltage | B mm | H mm | LT mm | L1 mm | L2 mm | A mm | Ø mm |
|---------------|---------|-----------|------|-------|-------|-------|---------|------|
| 0 250 001 010 | 0.9 | 18 x 1.50 | 21 | 90 | - | 27 | M5 | 9.8 |
| 0 250 001 016 | 0.9 | 18 x 1.50 | 21 | 89 | - | 28 | M5 | 10 |
| 0 250 002 001 | 1.7 | 18 x 1.50 | 26 | 82 | - | 39 | M5 | 12.2 |
| 0 250 002 004 | 1.7 | * | 17 | 133 | - | 29 | M5 | 12.2 |
| 0 250 002 009 | 1.7 | 14 x 1.25 | 17 | 110 | - | 20 | M5 | 8.5 |
| 0 250 004 004 | 5.5 | 22 x 1.50 | 26 | 88 | - | 42 | M5 | 18 |
| 0 250 102 002 | 11.0 | 22 x 1.50 | 26 | 95 | - | 65 | M5 | 19.5 |
| 0 250 200 006 | 22.5 | 18 x 1.50 | 19 | 96 | - | 28 | + | 6 |
| 0 250 200 021 | 9.5 | 18 x 1.50 | 21 | 93 | - | 28 | M5 | 6 |
| 0 250 200 035 | 12.0 | 10 x 1.00 | 17 | 90 | - | 28 | SAE8/32 | 3 |
| 0 250 200 051 | 11.0 | 14 x 1.25 | 14 | 77 | - | 28 | M5 | 6 |
| 0 250 200 055 | 11.0 | 18 x 1.50 | 19 | 89 | - | 38 | M5 | 6 |
| 0 250 200 064 | 18.0 | 12 x 1.25 | 12 | 71 | - | 25 | M5 | 6 |
| 0 250 200 070 | 18.0 | 12 x 1.25 | 12 | 74 | - | 30 | M5 | 6 |
| 0 250 201 014 | 11.0 | 12 x 1.25 | 12 | 80 | - | 33 | M5 | 6 |
| 0 250 201 022 | 23.0 | 12 x 1.25 | 12 | 60 | - | 21 | M5 | 6 |
| 0 250 201 027 | 11.0 | 12 x 1.25 | 12 | 71 | - | 25 | M5 | 6 |
| 0 250 201 032 | 11.0 | 12 x 1.25 | 12 | 59 | - | 21 | M5 | 6 |
| 0 250 201 034 | 11.0 | 12 x 1.25 | 12 | 75 | - | 30 | M5 | 6 |
| 0 250 201 035 | 11.5 | 12 x 1.25 | 12 | 120 | - | 28 | + | 6 |
| 0 250 201 036 | 11.0 | 12 x 1.25 | 12 | 76 | - | 21 | + | 6 |
| 0 250 201 038 | 11.0 | 12 x 1.25 | 12 | 116 | - | 28 | + | 6 |
| 0 250 201 039 | 11.0 | 12 x 1.25 | 12 | 71 | - | 25 | M5 | 6 |
| 0 250 201 041 | 11.0 | 12 x 1.25 | 12 | 69 | - | 23 | M5 | 6 |
| 0 250 201 042 | 11.0 | 12 x 1.25 | 12 | 71 | - | 25 | M5 | 6 |
| 0 250 201 043 | 11.0 | 12 x 1.25 | 12 | 67 | - | 25 | M5 | 6 |
| 0 250 201 044 | 11.0 | 18 x 1.50 | 21 | 75 | - | 29 | M5 | 6 |
| 0 250 201 046 | 11.0 | 12 x 1.25 | 12 | 59 | - | 21 | M5 | 6 |
| 0 250 201 047 | 11.0 | 12 x 1.25 | 12 | 69 | - | 23 | M5 | 6 |
| 0 250 201 048 | 11.0 | 12 x 1.25 | 12 | 116 | - | 28 | + | 6 |
| 0 250 201 049 | 11.0 | 12 x 1.25 | 12 | 63 | - | 18 | M5 | 6 |
| 0 250 201 050 | 11.0 | 12 x 1.25 | 12 | 60 | - | 21 | M5 | 6 |
| 0 250 201 053 | 11.0 | 12 x 1.25 | 12 | 82 | - | 21 | + | 6 |
| 0 250 202 001 | 11.0 | 12 x 1.25 | 12 | 66 | - | 21 | M4 | 5 |
| 0 250 202 002 | 11.0 | 10 x 1.00 | 10 | 79 | - | 25 | M4 | 5 |
| 0 250 202 004 | 8.5 | 10 x 1.25 | 12 | 97 | - | 28 | M4 | 5 |
| 0 250 202 005 | 11.0 | 10 x 1.00 | 12 | 89 | - | 25 | M4 | 5 |
| 0 250 202 007 | 10.5 | 10 x 1.25 | 12 | 84 | - | 23 | M4 | 5 |
| 0 250 202 008 | 5.0 | 10 x 1.25 | 12 | 90 | - | 24 | M4 | 5 |
| 0 250 202 011 | 10.5 | 10 x 1.25 | 12 | 89 | - | 24 | M4 | 5 |
| 0 250 202 015 | 10.5 | 10 x 1.25 | 12 | 68 | - | 17 | M4 | 5 |
| 0 250 202 017 | 10.5 | 10 x 1.25 | 12 | 70 | - | 19 | M4 | 5 |
| 0 250 202 020 | 11.0 | 10 x 1.00 | 10 | 89 | - | 30 | M4 | 5 |
| 0 250 202 022 | 11.0 | 10 x 1.00 | 10 | 92 | - | 25 | + | 5 |
| 0 250 202 023 | 11.0 | 10 x 1.00 | 10 | 97 | - | 30 | + | 5 |
| 0 250 202 024 | 11.0 | 12 x 1.25 | 12 | 68 | - | 26 | M4 | 5 |
| 0 250 202 025 | 11.0 | 10 x 1.00 | 10 | 84 | - | 25 | M4 | 5 |
| 0 250 202 026 | 11.5 | 12 x 1.25 | 12 | 85 | - | 28 | + | 5 |
| 0 250 202 027 | 11.0 | 10 x 1.00 | 10 | 126 | - | 29 | M4 | 5 |
| 0 250 202 028 | 11.0 | 10 x 1.00 | 10 | 95 | - | 25 | M4 | 5 |
| 0 250 202 029 | 11.0 | 10 x 1.00 | 10 | 129 | - | 28 | + | 5 |
| 0 250 202 030 | 23.0 | 10 x 1.00 | 10 | 97 | - | 30 | + | 5 |
| 0 250 202 032 | 11.0 | 10 x 1.00 | 10 | 107 | - | 28 | M4 | 5 |
| 0 250 202 033 | 11.0 | 12 x 1.25 | 12 | 66 | - | 21 | M4 | 5 |
| 0 250 202 034 | 11.0 | 12 x 1.25 | 12 | 71 | - | 25 | M4 | 5 |
| 0 250 202 035 | 11.0 | 10 x 1.00 | 10 | 95 | - | 25 | M4 | 5 |
| 0 250 202 036 | 11.0 | 10 x 1.00 | 10 | 103 | - | 25 | + | 5 |
| 0 250 202 038 | 11.0 | 10 x 1.00 | 10 | 130 | - | 26 | M4 | 5 |
| 0 250 202 040 | 11.0 | 10 x 1.00 | 10 | 125 | - | 26 | M4 | 5 |
| 0 250 202 041 | 11.5 | 10 x 1.00 | 10 | 128 | - | 30 | M4 | 5 |
| 0 250 202 042 | 11.0 | 10 x 1.00 | 10 | 134 | - | 29 | + | 5 |
| 0 250 202 043 | 11.0 | 10 x 1.00 | 10 | 135 | - | 31 | + | 5 |
| 0 250 202 045 | 11.5 | 10 x 1.00 | 10 | 130 | - | 28 | + | 5 |

Glow Plug Dimensions

| Part Number | Voltage | B mm | H mm | LT mm | L1 mm | L2 mm | A mm | Ø mm |
|---------------|---------|-----------|-------|-------|-------|-------|------|-------|
| 0 250 202 051 | 7.0 | 10 x 1.25 | 12 | 101 | - | 28 | M4 | 5 |
| 0 250 202 054 | 7.0 | 10 x 1.25 | 12 | 95 | - | 31 | M4 | 5 |
| 0 250 202 058 | 10.5 | 10 x 1.25 | 12 | 101 | - | 28 | M4 | 5 |
| 0 250 202 064 | 24.0 | 10 x 1.25 | 12 | 67 | - | 17 | M4 | 5 |
| 0 250 202 065 | 11.0 | 12 x 1.25 | 12 | 141 | - | 25 | M4 | 5 |
| 0 250 202 069 | 23.0 | 10 x 1.25 | 12 | 70 | - | 19 | M4 | 5 |
| 0 250 202 073 | 6.0 | 10 x 1.25 | 12 | 95 | - | 31 | M4 | 5 |
| 0 250 202 076 | 14.0 | 10 x 1.25 | 12 | 101 | - | 28 | M4 | 5 |
| 0 250 202 077 | 11.0 | 10 x 1.25 | 12 | 67 | - | 17 | M4 | 5 |
| 0 250 202 085 | 11.0 | 10 x 1.25 | 12 | 89 | - | 24 | M4 | 5 |
| 0 250 202 086 | 5.0 | 10 x 1.25 | 12 | 83 | - | 18 | M4 | 5 |
| 0 250 202 087 | 11.0 | 10 x 1.25 | 12 | 83 | - | 18 | M4 | 5 |
| 0 250 202 089 | 11.0 | 10 x 1.25 | 12 | 86 | - | 22 | M4 | 5 |
| 0 250 202 090 | 11.0 | 10 x 1.25 | 12 | 86 | - | 17 | M4 | 5 |
| 0 250 202 091 | 23.0 | 10 x 1.25 | 12 | 135 | - | 25 | M4 | 5 |
| 0 250 202 092 | 11.0 | 10 x 1.25 | 12 | 88 | - | 20 | M4 | 5 |
| 0 250 202 093 | 11.0 | 10 x 1.25 | 12 | 82 | - | 19 | M4 | 5 |
| 0 250 202 094 | 11.0 | 10 x 1.25 | 12 | 90 | - | 22 | M4 | 5 |
| 0 250 202 095 | 11.0 | 10 x 1.25 | 12 | 102 | - | 27 | M4 | 5 |
| 0 250 202 096 | 11.0 | 10 x 1.25 | 12 | 92 | - | 32 | M4 | 5 |
| 0 250 202 097 | 23.0 | 10 x 1.25 | 12 | 102 | - | 97 | M4 | 5 |
| 0 250 202 102 | 12.0 | 10 x 1.00 | 10 | 126 | - | 35 | + | 5 |
| 0 250 202 103 | 11.0 | 10 x 1.00 | 10 | 107 | - | 33 | + | 5 |
| 0 250 202 104 | 20.5 | 10 x 1.25 | 12 | 99 | - | 24 | M4 | 5 |
| 0 250 202 105 | 20.5 | 10 x 1.25 | 12 | 141 | - | 25 | M4 | 5 |
| 0 250 202 107 | 23.0 | 10 x 1.25 | 12 | 86 | - | 22 | M4 | 5 |
| 0 250 202 110 | 11.0 | 10 x 1.25 | 12 | 70 | - | 19 | M4 | 5 |
| 0 250 202 115 | 6.0 | 10 x 1.25 | 12 | 101 | - | 28 | M4 | 5 |
| 0 250 202 119 | 23.0 | 10 x 1.25 | 12 | 95 | - | 32 | M4 | 5 |
| 0 250 202 121 | 11.0 | 10 x 1.25 | 12 | 88 | - | 20 | M4 | 5/3.5 |
| 0 250 202 122 | 23.0 | 10 x 1.25 | 12 | 190 | - | 35 | M4 | 5 |
| 0 250 202 123 | 11.0 | 10 x 1.25 | 12 | 73 | - | 22 | M4 | 5 |
| 0 250 202 124 | 11.0 | 10 x 1.25 | 12 | 170 | - | 35 | M4 | 5/3.5 |
| 0 250 202 125 | 11.0 | 10 x 1.25 | 12 | 170 | - | 37 | M4 | 5/3.5 |
| 0 250 202 127 | 11.0 | 10 x 1.00 | 10 | 130 | - | 32 | + | 5 |
| 0 250 202 128 | 11.0 | 10 x 1.00 | 10 | 152 | - | 25 | M4 | 5 |
| 0 250 202 129 | 11.0 | 10 x 1.00 | 10 | 100 | - | 25 | M4 | 5 |
| 0 250 202 130 | 11.0 | 10 x 1.00 | 10 | 147 | - | 35 | M4 | 5 |
| 0 250 202 131 | 11.0 | 10 x 1.00 | 10 | 98 | - | 25 | M4 | 5 |
| 0 250 202 254 | 10.5 | 10 x 1.25 | 10 | 81 | - | 27 | + | 5 |
| 0 250 203 001 | 11.0 | 9 x 1.00 | 9 | 152 | - | 30 | M4 | 4 |
| 0 250 203 002 | 11.0 | 8 x 1.00 | 8 | 120 | - | 28 | + | 4 |
| 0 250 204 001 | 11.0 | 8 x 1.00 | 8 | 119 | - | 28 | M4 | 4.4 |
| 0 250 312 001 | 11.0 | 12 x 1.25 | 12 | 82 | - | 18 | M4 | 4/2.9 |
| 0 250 312 002 | 11.0 | 12 x 1.25 | 12 | 95 | - | 18 | M4 | 4/2.9 |
| 0 250 312 003 | 11.0 | 12 x 1.25 | 12 | 88 | - | 18 | M4 | 4/2.9 |
| 0 250 312 007 | 11.0 | 12 x 1.25 | 12 | 85 | - | 18 | M4 | 4/2.9 |
| 0 250 402 001 | 5.0 | 10 x 1.00 | 10 | 97 | - | 30 | + | 5/3.7 |
| 0 250 403 001 | 4.4 | 8 x 1.00 | 8 | 135 | - | 28 | + | 4/3.3 |
| 0 250 403 002 | 4.4 | 8 x 1.00 | 8 | 118 | - | 30 | + | 4/3.3 |
| 0 257 200 003 | 19.0 | 20 x 1.50 | 21/24 | 92 | - | 41 | M5 | - |
| 0 257 201 001 | 19.0 | 20 x 1.50 | 21/24 | 92 | - | 41 | M5 | - |
| 0 257 204 002 | 12.0 | 20 x 1.50 | 21/24 | 96 | - | 46 | M5 | - |
| 0 257 205 001 | 24.0 | 20 x 1.50 | 21/24 | 96 | - | 46 | M5 | - |
| 0 257 205 003 | 24.0 | 20 x 1.50 | 21/24 | 96 | - | 46 | M5 | - |
| 0 257 210 001 | 19.0 | 32 x 1.50 | 27/36 | 102 | - | 54 | M5 | - |
| 0 257 210 003 | 19.0 | 32 x 1.50 | 27/36 | 102 | - | 54 | M5 | - |
| GPD-903 | 7.0 | 10 x 1.25 | 12 | 101 | 53 | 28 | M4 | 5 |
| GPD-906 | 11.0 | 10 x 1.25 | 12 | 101 | 53 | 28 | M4 | 5 |
| GPE-900 | 10.5 | 10 x 1.25 | 12 | 75 | 39 | 16 | M4 | 5 |
| GPE-901 | 10.5 | 10 x 1.25 | 12 | 70 | 33.5 | 17 | M4 | 5 |
| GPE-902 | 11.0 | 8 x 1.00 | 10 | 69 | 34 | 19.5 | M4 | 4.4 |
| GPE-903 | 10.0 | 10 x 1.25 | 12 | 68 | 34.5 | 17 | M4 | 4.4 |

Glow Plug Dimensions



| Part Number | Voltage | B mm | H mm | LT mm | L1 mm | L2 mm | A mm | Ø mm |
|-------------|---------|-----------|------|-------|-------|-------|------|------|
| GPE-904 | 10.5 | 10 x 1.25 | 12 | 83.5 | 45 | 22 | M4 | 5 |
| GPF-103 | 20.5 | 12 x 1.25 | 12 | 97 | 57.5 | 20 | M4 | 5 |
| GPF-112 | 12.0 | 10 x 1.25 | 12 | 95 | 52 | 22 | M4 | 5 |
| GPF-116 | 11.0 | 12 x 1.25 | 12 | 83 | 41 | 22.5 | M4 | 5 |
| GPF-117 | 11.0 | 10 x 1.25 | 12 | 85 | 47 | 17.5 | M4 | 5 |
| GPF-118 | 11.0 | 10 x 1.25 | 12 | 84 | 45 | 20 | M4 | 5 |
| GPF-119 | 11.0 | 10 x 1.25 | 12 | 89 | 47 | 21.5 | M4 | 5 |
| GPF-121 | 24.0 | 12 x 1.25 | 12 | 97 | 57.5 | 19.5 | M4 | 5 |
| GPF-124 | 23.0 | 10 x 1.25 | 12 | 131 | 85 | 25 | M4 | 5 |
| GPF-128 | 6.0 | 10 x 1.25 | 12 | 95 | 52 | 22 | M4 | 5 |
| GPF-133 | 6.2 | 10 x 1.25 | 12 | 94 | 54 | 20 | M4 | 5 |
| GPH-402 | 19.0 | 10 x 1.25 | 12 | 85 | 41 | 25 | M4 | 5 |
| GPH-408 | 10.5 | 12 x 1.25 | 12 | 141 | 94 | 24 | M4 | 5 |
| GPH-409 | 23.0 | 12 x 1.25 | 12 | 160 | 108 | 28 | M4 | 5 |
| GPI-001 | 22.5 | 18 x 1.50 | 19 | 91 | 50 | 20 | M5 | 6 |
| GPI-003 | 10.5 | 10 x 1.25 | 12 | 89 | 47 | 24 | M4 | 5 |
| GPI-005 | 5.0 | 10 x 1.25 | 12 | 89 | 47 | 24 | M4 | 5 |
| GPI-008 | 20.5 | 12 x 1.25 | 12 | 138 | 94 | 24 | M4 | 5 |
| GPI-009 | 9.5 | 10 x 1.25 | 12 | 95 | 53 | 24 | M4 | 5 |
| GPI-010 | 11.0 | 12 x 1.25 | 12 | 141 | 94 | 24 | M4 | 5 |
| GPI-013 | 11.0 | 10 x 1.25 | 12 | 89 | 47 | 24 | M4 | 5 |
| GPI-014 | 11.0 | 10 x 1.25 | 12 | 84 | 47 | 17 | M4 | 5 |
| GPI-016 | 11.0 | 10 x 1.25 | 12 | 84 | 47 | 17 | M4 | 5 |
| GPI-017 | 9.0 | 10 x 1.25 | 12 | 89 | 47 | 24 | M4 | 5 |
| GPI-021 | 23.0 | 12 x 1.25 | 12 | 141 | 94 | 24 | M4 | 5 |
| GPI-024 | 10.5 | 12 x 1.25 | 12 | 141 | 94 | 24 | M4 | 5 |
| GPI-026 | 11.0 | 10 x 1.25 | 12 | 145 | 103.5 | 23.5 | M4 | 5 |
| GPI-900 | 23.0 | 10 x 1.25 | 12 | 151.5 | 98 | 36 | M4 | 5 |
| GPI-901 | 11.0 | 10 x 1.25 | 12 | 151.5 | 98 | 36 | M4 | 3.5 |
| GPK-900 | 11.0 | 10 x 1.00 | 14.5 | 111.5 | 60 | 29.5 | M4 | 5 |
| GPK-901 | 11.0 | 10 x 1.25 | 12 | 153.5 | 105 | 31 | M4 | 3.5 |
| GPM-501 | 12.0 > | 10 x 1.25 | 12 | 86 | 45 | 22 | M4 | 5 |
| GPM-502 | 10.5 > | 10 x 1.25 | 12 | 86 | 45 | 22 | M4 | 5 |
| GPM-503 | 23.0 | 10 x 1.25 | 12 | 86 | 45 | 22 | M4 | 5 |
| GPM-504 | 12.0 | 10 x 1.25 | 12 | 86 | 45 | 22 | M4 | 5 |
| GPM-510 | 11.0 | 10 x 1.25 | 12 | 84 | 45 | 22 | M4 | 5 |
| GPM-511 | 12.0 | 10 x 1.25 | 12 | 84 | 45 | 22 | M4 | 5 |
| GPM-513 | 11.0 | 10 x 1.25 | 12 | 85 | 47 | 22.5 | M4 | 5 |
| GPM-515 | 11.0 | 10 x 1.25 | 12 | 101 | 58.5 | 22 | M4 | 5 |
| GPM-516 | 24.0 | 10 x 1.25 | 12 | 82 | 47 | 19 | M4 | 5 |
| GPM-517 | 11.0 | 10 x 1.25 | 12 | 93 | 50 | 22 | M4 | 5 |
| GPM-900 | 11.0 | 12 x 1.25 | 12 | 87 | 45 | 22.5 | M4 | 5 |
| GPM-901 | 23.0 | 10 x 1.25 | 12 | 131 | 85 | 25 | M4 | 5 |
| GPM-902 | 11.0 | 10 x 1.25 | 12 | 88 | 47 | 20.5 | M4 | 4.3 |
| GPM-903 | 11.0 | 10 x 1.25 | 12 | 85 | 47 | 17.5 | M4 | 5 |
| GPM-904 | 11.0 | 10 x 1.25 | 12 | 170 | 114.5 | 35 | M4 | 5 |
| GPM-905 | 22.5 | 12 x 1.25 | 12 | 80 | 41 | 20.5 | M4 | 5 |
| GPM-906 | 20.5 | 12 x 1.25 | 12 | 80 | 41 | 20.2 | M4 | 5 |
| GPM-907 | 23.0 | 12 x 1.25 | 12 | 97 | 57.5 | 20 | M4 | 5 |
| GPN-302 | 10.5 | 10 x 1.25 | 12 | 68 | 33.5 | 17 | M4 | 5 |
| GPN-305 | 19.0 | 12 x 1.25 | 14 | 94 | 55 | 21 | M4 | 5 |
| GPN-306 | 11.0 | 10 x 1.25 | 12 | 70 | 33.5 | 19 | M4 | 5 |
| GPN-308 | 23.0 | 10 x 1.25 | 12 | 75 | 39 | 19 | M4 | 5.1 |
| GPN-309 | 11.0 | 12 x 1.25 | 12 | 59 | 26 | 20 | M5 | 6 |
| GPN-310 | 9.0 | 10 x 1.25 | 12 | 68 | 33.5 | 17 | M4 | 5 |
| GPN-311 | 23.0 | 12 x 1.25 | 14 | 94 | 55 | 21 | M4 | 5 |
| GPN-314 | 8.5 | 10 x 1.00 | 12 | 92 | 47.5 | 25 | M4 | 5 |
| GPN-315 | 6.5 | 10 x 1.00 | 12 | 91 | 47.5 | 25 | M4 | 5 |
| GPN-316 | 6.5 | 12 x 1.25 | 12 | 61 | 26 | 20 | M5 | 6 |
| GPN-317 | 23.0 | 10 x 1.25 | 12 | 70 | 33.5 | 19 | M4 | 5 |
| GPN-318 | 10.5 > | 10 x 1.25 | 12 | 70 | 33.5 | 19 | M4 | 5 |
| GPN-319 | 11.0 > | 10 x 1.25 | 12 | 70 | 33.5 | 19 | M4 | 5 |
| GPN-320 | 8.5 | 12 x 1.25 | 12 | 61 | 26 | 20 | M5 | 6 |

Glow Plug Dimensions

| Part Number | Voltage | B mm | H mm | LT mm | L1 mm | L2 mm | A mm | Ø mm |
|-------------|---------|-----------|------|-------|-------|-------|------|------|
| GPN-321 | 23.0 | 12 x 1.25 | 14 | 94 | 55 | 21 | M4 | 5 |
| GPN-322 | 11.0 | 10 x 1.25 | 12 | 67 | 33.5 | 17 | M4 | 5 |
| GPN-323 | 8.5 | 10 x 1.25 | 12 | 91 | 47 | 25 | M4 | 5 |
| GPN-324 | 24.0 | 10 x 1.25 | 12 | 67 | 33.5 | 17 | M4 | 5 |
| GPN-326 | 24.0 | 12 x 1.25 | 14 | 94 | 55 | 21.5 | M4 | 5 |
| GPN-327 | 11.0 | 10 x 1.25 | 12 | 88 | 50 | 22 | M4 | 5 |
| GPN-328 | 24.0 | 10 x 1.25 | 12 | 87 | 50 | 22 | M4 | 5 |
| GPN-330 | 11.0 | 10 x 1.25 | 12 | 83 | 47 | 18.5 | M4 | 5 |
| GPN-331 | 11.0 | 10 x 1.25 | 12 | 95 | 62 | 18.5 | M4 | 5 |
| GPN-332 | 9.5 | 10 x 1.25 | 12 | 70 | 33.5 | 19 | M4 | 5 |
| GPN-336 | 20.5 | 10 x 1.25 | 12 | 76 | 39 | 19 | M4 | 5 |
| GPN-338 | 11.0 | 10 x 1.25 | 12 | 84 | 50 | 19 | M4 | 5 |
| GPN-339 | 10.0 | 12 x 1.25 | 14 | 94 | 55 | 21 | M4 | 5 |
| GPN-341 | 11.0 | 10 x 1.25 | 12 | 85 | 47 | 21 | M4 | 5 |
| GPN-342 | 11.0 | 10 x 1.25 | 12 | 81.5 | 52 | 15.5 | M4 | 5 |
| GPN-900 | 11.0 | 10 x 1.25 | 12 | 213 | 175.5 | 23 | M4 | 5 |
| GPN-908 | 6.5 | 10 x 1.25 | 12 | 84 | 47 | 21.5 | M4 | 5 |
| GPN-909 | 6.5 | 10 x 1.25 | 12 | 90 | 45 | 21.5 | M4 | 5 |
| GPT-207 | 20.5 | 10 x 1.25 | 12 | 101 | 53 | 28 | M4 | 5 |
| GPT-208 | 8.5 | 10 x 1.25 | 12 | 101 | 53 | 28 | M4 | 5 |
| GPT-210 | 23.0 | 10 x 1.25 | 12 | 95 | 43.5 | 31.5 | M4 | 5 |
| GPT-212 | 7.0 | 10 x 1.25 | 12 | 101 | 53 | 28 | M4 | 5 |
| GPT-213 | 23.0 | 10 x 1.25 | 12 | 101 | 53 | 28 | M4 | 5 |
| GPT-214 | 6.0 | 10 x 1.25 | 12 | 96 | 53 | 28 | M4 | 5 |
| GPT-215 | 11.0 | 10 x 1.25 | 12 | 96 | 43.5 | 31.5 | M4 | 5 |
| GPT-216 | 7.0 | 10 x 1.25 | 12 | 95 | 43.5 | 31.5 | M4 | 5 |
| GPT-217 | 14.0 | 10 x 1.25 | 12 | 101 | 53 | 28 | M4 | 5 |
| GPT-218 | 10.5 | 10 x 1.25 | 12 | 101 | 53 | 28 | M4 | 5 |
| GPT-219 | 16.0 | 10 x 1.25 | 12 | 95 | 43.5 | 32 | M4 | 5 |
| GPT-220 | 11.0 | 10 x 1.25 | 12 | 96 | 53 | 27 | M4 | 5 |
| GPT-221 | 6.0 | 10 x 1.25 | 12 | 95 | 43.5 | 31.5 | M4 | 5 |
| GPT-222 | 11.0 | 10 x 1.25 | 12 | 101 | 53 | 28 | M4 | 5 |
| GPT-223 | 11.0 | 10 x 1.25 | 12 | 95 | 43.5 | 32 | M4 | 5 |
| GPT-225 | 11.0 | 10 x 1.25 | 12 | 104 | 58.5 | 25 | M4 | 5 |
| GPT-228 | 23.0 | 10 x 1.25 | 12 | 101 | 53 | 28 | M4 | 5 |
| GPT-233 | 11.0 | 10 x 1.25 | 12 | 101 | 53 | 28 | M4 | 5 |
| GPT-234 | 11.0 | 10 x 1.25 | 12 | 97 | 43.5 | 32 | M4 | 5 |
| GPT-235 | 11.0 | 10 x 1.25 | 12 | 104 | 55.5 | 28 | M4 | 5 |
| GPT-900 | 14.0 | 12 x 1.25 | 12 | 141 | 94 | 24 | M4 | 5 |
| GPT-901 | 11.0 | 10 x 1.25 | 12 | 170 | 111.5 | 37 | M4 | 5 |
| GPT-902 | 11.0 | 10 x 1.25 | 12 | 101.5 | 53 | 28 | M4 | 5 |

Notes






* Fastened by Union Nut

+ Plug











> Test Voltage is inscribed on the Glow Plug
Actual Glow Plug Voltage is listed below

| Part Number | Test Voltage | Plug Voltage |
|-------------|--------------|--------------|
| GPM-502 | 7.0V | 10.5V |
| GPM-501 | 8.5V | 12.0V |
| GPN-318 | 6.5V | 10.5V |
| GPN-319 | 8.5V | 11.0V |

Picture References






| 0 250 001 016 | 0 250 002 004 | 0 250 200 021 | 0 250 200 035 | 0 250 200 055 |
|---|--|---|--|---|
|  A Bosch spark plug with a hexagonal base, a threaded section, and a hook-shaped electrode at the bottom. |  A long, slender Bosch spark plug with a hexagonal base and a hook-shaped electrode at the bottom. |  A Bosch spark plug with a hexagonal base, a threaded section, and a rounded electrode tip. |  A Bosch spark plug with a hexagonal base, a threaded section, and a long, thin electrode tip. |  A Bosch spark plug with a hexagonal base, a threaded section, and a rounded electrode tip. |



| 0 250 201 032 | 0 250 201 034 | 0 250 201 035 | 0 250 201 036 | 0 250 201 038 |
|---|---|---|---|---|
|  |  |  |  |  |
| 0 250 201 039 | 0 250 201 041 | 0 250 201 046 | 0 250 201 047 | 0 250 202 001 |
|  |  |  |  |  |



Picture References





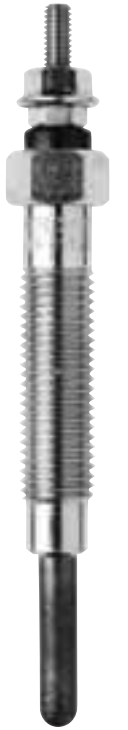
| 0 250 202 020 | 0 250 202 022 | 0 250 202 023 | 0 250 202 025 | 0 250 202 029 |
|--|--|--|--|--|
|  A silver spark plug with a hexagonal base, a threaded section, and a dark, tapered electrode tip. |  A silver spark plug with a hexagonal base, a threaded section, and a dark, tapered electrode tip. |  A silver spark plug with a hexagonal base, a threaded section, and a dark, tapered electrode tip. |  A silver spark plug with a hexagonal base, a threaded section, and a dark, tapered electrode tip. |  A silver spark plug with a hexagonal base, a threaded section, and a dark, tapered electrode tip. |



| 0 250 202 032 | 0 250 202 045 | 0 250 202 089 | 0 250 202 103 | 0 250 202 130 |
|--|--|--|--|--|
|  |  |  |  |  |



Picture References

| 0 250 203 001 | GPD-903 | GPD-906 | GPF-103 | GPF-112 |
|--|--|--|--|--|
|  |  |  |  |  |



| GPF-116 | GPF-117 | GPF-118 | GPF-119 | GPF-121 |
|--|--|--|--|--|
|  |  |  |  |  |



Picture References

| GPF-124 | GPF-128 | GPF-133 | GPH-402 | GPH-408 |
|--|--|--|--|--|
|  A long, cylindrical metal tool with a hexagonal top section and a threaded section. It has a long, thin, tapered tip. |  A cylindrical metal tool with a hexagonal top section and a threaded section. It has a shorter, thicker, tapered tip. |  A cylindrical metal tool with a hexagonal top section and a threaded section. It has a shorter, thicker, tapered tip. |  A cylindrical metal tool with a hexagonal top section and a threaded section. It has a shorter, thicker, tapered tip. |  A long, cylindrical metal tool with a hexagonal top section and a threaded section. It has a long, thin, tapered tip. |



| GPH-409 | GPI-001 | GPI-005 | GPI-008 | GPI-009 |
|--|--|--|---|--|
|  |  |  |  |  |



Picture References

| GPI-010 | GPI-013 | GPI-014 | GPI-016 | GPI-017 |
|---|---|---|---|---|
|  A long, cylindrical metal tool with a hexagonal base and a threaded section. It has a long, thin shaft with a tapered tip. |  A shorter, cylindrical metal tool with a hexagonal base and a threaded section. It has a shorter shaft with a tapered tip. |  A shorter, cylindrical metal tool with a hexagonal base and a threaded section. It has a shorter shaft with a tapered tip. |  A shorter, cylindrical metal tool with a hexagonal base and a threaded section. It has a shorter shaft with a tapered tip. |  A shorter, cylindrical metal tool with a hexagonal base and a threaded section. It has a shorter shaft with a tapered tip. |






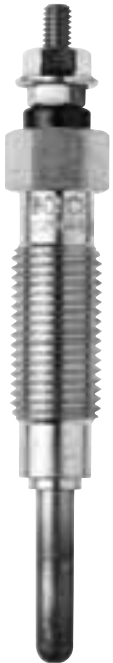
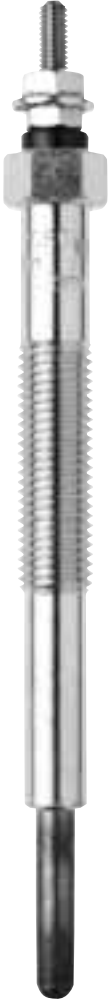
| GPI-021 | GPI-024 | GPI-026 | GPM-501 | GPM-502 |
|--|--|--|--|--|
|  |  |  |  |  |



Picture References

| GPM-503 | GPM-504 | GPM-510 | GPM-511 | GPM-513 |
|--|--|--|--|--|
|  |  |  |  |  |



| GPM-515 | GPM-516 | GPM-517 | GPM-900 | GPM-901 |
|--|--|--|--|--|
|  |  |  |  |  |



Picture References











| GPM-902 | GPM-903 | GPM-904 | GPM-905 | GPM-906 |
|---|---|---|---|---|
|  A spark plug with a hexagonal base, a threaded section, and a tapered electrode tip. |  A spark plug with a hexagonal base, a threaded section, and a tapered electrode tip. |  A spark plug with a hexagonal base, a threaded section, and a tapered electrode tip. |  A spark plug with a hexagonal base, a threaded section, and a tapered electrode tip. |  A spark plug with a hexagonal base, a threaded section, and a tapered electrode tip. |













| GPM-907 | GPN-302 | GPN-305 | GPN-306 | GPN-315 |
|--|---|--|---|--|
|  |  |  |  |  |



Picture References

| GPN-308 | GPN-309 | GPN-310 | GPN-311 | GPN-314 |
|---|---|---|---|---|
|  |  |  |  |  |
| GPN-316 | GPN-317 | GPN-318 | GPN-319 | GPN-320 |
|  |  |  |  |  |



| GPN-321 | GPN-322 | GPN-323 | GPN-324 | GPN-327 |
|---|---|---|---|---|
|  |  |  |  |  |
| GPN-328 | GPN-330 | GPN-331 | GPN-332 | GPN-336 |
|  |  |  |  |  |



Picture References

| GPN-338 | GPN-339 | GPN-342 | GPN-900 | GPT-207 |
|--|---|---|--|---|
|  A standard spark plug with a hexagonal base, a threaded insulator, and a central electrode. |  A spark plug with a hexagonal base, a threaded insulator, and a central electrode, similar to GPN-338 but with a different electrode design. |  A spark plug with a hexagonal base, a threaded insulator, and a central electrode, similar to GPN-338. |  A long, thin spark plug with a hexagonal base, a threaded insulator, and a central electrode. |  A spark plug with a hexagonal base, a threaded insulator, and a central electrode, similar to GPN-338. |



| GPT-208 | GPT-210 | GPT-212 | GPT-213 | GPT-214 |
|--|--|--|--|--|
|  |  |  |  |  |



Picture References

| GPT-215 | GPT-216 | GPT-218 | GPT-220 | GPT-221 |
|--|--|--|--|--|
|  |  |  |  |  |



| GPT-222 | GPT-223 | GPT-225 | GPT-228 | GPT-233 |
|--|--|--|--|--|
|  |  |  |  |  |



Picture References

| GPT-234 | GPT-235 | GPT-901 | GPT-902 |
|--|---|---|---|
|  A long, thin metal tool with a hexagonal base and a threaded section. |  A long, thin metal tool with a hexagonal base and a threaded section, similar to GPT-234 but with a different tip. |  A long, thin metal tool with a hexagonal base and a threaded section, similar to GPT-234 but with a different tip. |  A long, thin metal tool with a hexagonal base and a threaded section, similar to GPT-234 but with a different tip. |



Cross Reference

Notes for users

The following catalogue selection lists part numbers of non-Bosch equipment for there are interchangeable Bosch products or components available.

Since a wide range of different designation systems are used, we were forced to arrange the non-Bosch part numbers in a uniform alphanumerical order.

This differs from the customary order employed by some manufacturers. Reconversion of Bosch numbers back to the numbers of other manufacturers is not permitted.

Note:

The laws governing competition stipulate that only Bosch type numbers may be used vis-a-vis the final customer for the identification of parts.



| ALFA ROMEO | |
|------------------|---------------|
| 46072001 | 0 250 201 039 |
| 60596245 | 0 250 201 039 |
| 60617002 | 0 250 202 023 |
| | |
| 9633214380 | 0 250 201 042 |
| 116 76 05 358 01 | 0 250 201 034 |
| 116 61 05 358 00 | 0 250 201 034 |

| BMW | |
|-----------------|---------------|
| 12 12 1 286 059 | 0 250 201 039 |
| 12 12 1 288 161 | 0 250 201 039 |
| 12 23 0 035 934 | 0 250 603 006 |
| | |
| 12 23 1 288 245 | 0 250 201 039 |
| 12 23 2 241 387 | 0 250 201 027 |
| 12 23 2 241 388 | 0 250 201 027 |
| 12 23 2 241 389 | 0 250 201 027 |
| 12 23 2 248 059 | 0 250 202 103 |

| | |
|-----------------|---------------|
| 12 23 7 786 869 | 0 250 402 002 |
| 12 23 7 803 368 | 0 250 603 006 |
| 12 23 9 061 354 | 0 250 201 027 |

| CHAMPION | |
|----------|---------------|
| CH 27 | 0 250 002 004 |
| CH 28 | 0 250 001 010 |
| CH 32 | 0 250 200 035 |
| | |
| CH 44 | 0 250 200 021 |
| CH 44 | 0 250 200 055 |
| CH 45 | 0 250 002 009 |
| CH 60 | 0 250 201 032 |
| CH 61 | 0 250 001 016 |
| | |
| CH 62 | 0 250 201 014 |
| CH 63 | 0 250 201 039 |
| CH 63 | 0 250 202 001 |
| CH 65 | 0 250 200 055 |
| CH 66 | 0 250 200 051 |
| | |
| CH 68 | 0 250 201 039 |
| CH 69 | 0 250 201 032 |
| CH 70 | 0 250 201 034 |
| CH 79 | 0 250 201 039 |
| CH 79 | 0 250 202 001 |

| | |
|--------|---------------|
| CH 84 | 0 250 202 254 |
| CH 88 | 0 250 201 039 |
| CH 137 | 0 250 201 039 |
| CH 155 | 0 250 201 039 |
| CH 155 | 0 250 201 043 |
| | |
| CH 156 | 0 250 201 041 |
| CH 160 | 0 250 201 032 |
| CH 168 | 0 250 202 020 |
| CH 170 | 0 250 202 032 |
| CH 178 | 0 250 202 040 |

| CHEVROLET | |
|-------------|---------------|
| 89417 51581 | 0 250 202 065 |
| 93 321 136 | 0 250 202 040 |
| MI 074 192 | 0 250 202 040 |
| | |
| RE 003 021 | 0 250 201 039 |

| CHRYSLER | |
|-------------|---------------|
| 05080 046AA | 0 250 202 045 |
| 05080 047AA | 0 250 202 045 |
| 4863 826 | 0 250 202 023 |
| | |
| 5066 840AA | 0 250 202 038 |
| 5080 046AA | 0 250 202 045 |
| 5080 047AA | 0 250 202 045 |
| 5080 047AB | 0 250 202 045 |
| 5117 592AA | 0 250 202 045 |

| | |
|-----------|---------------|
| T0701 130 | 0 250 201 039 |
| T1349 475 | 0 250 201 039 |

| CITROEN | |
|-----------|---------------|
| 5 415 813 | 0 250 200 055 |
| 5960 19 | 0 250 204 001 |
| 5960 32 | 0 250 201 027 |
| | |
| 5960 34 | 0 250 201 041 |
| 5960 35 | 0 250 201 038 |
| 5960 36 | 0 250 202 087 |
| 5960 38 | 0 250 202 103 |
| 5960 39 | 0 250 202 002 |

| | |
|---------|---------------|
| 5960 40 | 0 250 202 095 |
| 5960 41 | 0 250 202 028 |
| 5960 64 | 0 250 202 032 |
| 5960 64 | 0 250 202 048 |
| 5960 65 | 0 250 202 032 |
| | |
| 5960 65 | 0 250 202 048 |
| 5960 66 | 0 250 202 032 |
| 5960 67 | 0 250 202 032 |
| 5960 69 | 0 250 202 020 |
| 5960 79 | 0 250 204 002 |
| | |
| 5961 05 | 0 250 200 055 |
| 5961 22 | 0 250 200 055 |
| 5961 39 | 0 250 201 039 |
| 5961 40 | 0 250 201 039 |
| 5961 53 | 0 250 201 039 |
| | |
| 5961 54 | 0 250 201 039 |
| 5961 57 | 0 250 201 039 |
| 5961 58 | 0 250 201 039 |
| 5961 95 | 0 250 200 064 |
| 5962 03 | 0 250 201 042 |

| | |
|---------|---------------|
| 5962 2Z | 0 250 202 020 |
| 5962 3C | 0 250 202 032 |
| 5962 3E | 0 250 202 032 |
| 5962 3H | 0 250 201 042 |
| 5962 3J | 0 250 201 042 |
| | |
| 5962 4J | 0 250 202 022 |
| 5962 4K | 0 250 202 024 |
| 5962 4L | 0 250 202 025 |
| 5962 5A | 0 250 202 002 |
| 5962 74 | 0 250 201 039 |

| | |
|---------|---------------|
| 5962 7F | 0 250 202 032 |
| 5962 7G | 0 250 202 032 |
| 5962 7Z | 0 250 201 050 |
| 5962 C7 | 0 250 200 055 |
| 5962 J2 | 0 250 201 039 |
| | |
| 5962 J3 | 0 250 202 001 |
| 5962 J4 | 0 250 201 039 |
| 5962 J5 | 0 250 201 039 |
| 5962 J6 | 0 250 201 039 |
| 5962 J7 | 0 250 201 032 |

| | |
|---------|---------------|
| 5962 K5 | 0 250 201 039 |
| 5962 R8 | 0 250 201 039 |
| 5962 S8 | 0 250 201 039 |
| 5962 T1 | 0 250 201 039 |
| 5962 T2 | 0 250 201 050 |
| | |
| 5962 T3 | 0 250 201 039 |
| 5962 W2 | 0 250 202 020 |
| 5962 W3 | 0 250 202 020 |
| 5962 W8 | 0 250 201 039 |
| 5962 X1 | 0 250 201 039 |

| | |
|---------------|---------------|
| 79 32 564 528 | 0 250 201 039 |
| 79 32 567 619 | 0 250 200 055 |
| 79 32 567 717 | 0 250 201 039 |
| 79 32 567 718 | 0 250 201 039 |
| 91 507 718 | 0 250 201 039 |
| | |
| 91 508 610 | 0 250 201 039 |
| 91 521 849 | 0 250 201 039 |
| 91 536 646 | 0 250 201 039 |
| 93 010 500 | 0 250 200 064 |
| 95 493 206 | 0 250 201 039 |
| | |
| 95 534 788 | 0 250 201 039 |
| 96 009 783 | 0 250 202 001 |
| 96 076 258 | 0 250 202 001 |
| 96 104 689 | 0 250 201 039 |
| 96 141 678 | 0 250 201 039 |

| | |
|------------|---------------|
| 96 165 724 | 0 250 201 039 |
| 96 165 734 | 0 250 202 020 |
| 96 236 383 | 0 250 202 032 |
| 96 332 143 | 0 250 201 042 |
| 96 389 858 | 0 250 202 032 |
| | |
| 96 510 297 | 0 250 202 032 |
| 96 515 836 | 0 250 202 032 |
| HG 262 1 | 0 250 200 055 |
| MKD 000 66 | 0 250 201 039 |
| MKD 000 68 | 0 250 202 001 |
| | |
| MKP 000 64 | 0 250 201 039 |
| MKP 000 65 | 0 250 201 039 |
| MKP 000 67 | 0 250 201 039 |
| MKP 000 68 | 0 250 202 001 |
| MKP 000 69 | 0 250 201 039 |
| | |
| MKP 000 70 | 0 250 001 016 |
| MKP 000 71 | 0 250 201 032 |

| DAEWOO | |
|----------|---------------|
| 90210824 | 0 250 201 039 |

| DAIHATSU | |
|-----------------|---------------|
| 067100 1830 | GPH-409 |
| 19850 56012 | GPT-207 |
| 19850 56022 000 | 0 250 202 004 |

| | |
|-------------|---------------|
| 19850 58010 | GPT-228 |
| 19850 64020 | GPT-222 |
| 19850 64050 | GPT-233 |
| 19850 67030 | GPT-225 |
| 19850 68010 | GPT-218 |
| | |
| 19850 68060 | GPT-217 |
| 19850 87309 | 0 250 202 004 |
| 19850 87309 | GPT-208 |
| 19850 87701 | 0 250 202 051 |
| 19850 87701 | GPD-903 |

| | |
|-------------|---------|
| 19850 87703 | GPD-906 |
| 19850 89101 | GPH-409 |

| FIAT | |
|---------|---------------|
| 773592 | 0 250 201 039 |
| 975331 | 0 250 200 006 |
| 4393814 | 0 250 201 039 |

| | |
|---------|---------------|
| 4714294 | 0 250 201 039 |
| 4729585 | 0 250 201 039 |
| 4754011 | 0 250 201 039 |
| 4774413 | 0 250 201 039 |
| 4776085 | 0 257 204 002 |
| | |
| 4781356 | 0 250 201 039 |
| 4849406 | 0 250 201 039 |
| 5493206 | 0 250 201 039 |
| 5950464 | 0 250 201 039 |
| 5951881 | 0 250 201 039 |
| | |
| 5951882 | 0 250 201 039 |
| 5973752 | 0 250 201 039 |
| 7632587 | 0 250 202 002 |
| 7648199 | 0 250 201 039 |
| 7702960 | 0 250 201 039 |

| | |
|------------|---------------|
| 7735920 | 0 250 201 039 |
| 7777837 | 0 250 202 001 |
| 46447610 | 0 250 202 034 |
| 46451951 | 0 250 202 028 |
| 46751764 | 0 250 201 053 |
| | |
| 46754154 | 0 250 202 036 |
| 46792355 | 0 250 203 001 |
| 46796050 | 0 250 203 002 |
| 55200817 | 0 250 202 132 |
| 60812292 | 0 250 202 001 |
| | |
| 60814613 | 0 250 202 028 |
| 61617002 | 0 250 202 023 |
| 71719015 | 0 250 201 039 |
| 71735464 | 0 250 201 053 |
| 77359200 | 0 250 201 039 |
| | |
| 88900066 | 0 250 200 021 |
| 96165724 | 0 250 201 039 |
| 98498630 | 0 250 202 001 |
| 9616572480 | 0 250 201 039 |
| 9623638380 | 0 250 202 032 |

| | |
|------------|---------------|
| 9631658980 | 0 250 202 020 |
| 9633214380 | 0 250 201 042 |
| 9638985980 | 0 250 202 032 |
| 9651029780 | 0 250 202 032 |
| 9651583680 | 0 250 202 135 |

| | |
|-------------|---------------|
| 500 3164 93 | 0 250 202 002 |
|-------------|---------------|

| FORD | |
|---------|---------------|
| 1001049 | 0 250 201 049 |
| 1008792 | 0 250 201 049 |
| 1037204 | 0 250 202 022 |
| | |
| 1045261 | 0 250 201 049 |
| 1056857 | 0 250 201 049 |
| 1079401 | 0 250 202 131 |
| 1096527 | 0 250 202 130 |
| 1148105 | 0 250 204 001 |



| | | | | | | | |
|----------------|---------------|-------------------|---------------|--------|---------------|---------------|---------------|
| 1207068 | 0 250 202 023 | 9S516 M090 AA | 0 250 203 002 | PI-175 | GPI-901 | PS-210 | GPE-903 |
| 1309471 | 0 250 202 130 | EZD 8 | 0 250 202 001 | PI-42 | GPI-003 | PT-100 | 0 250 202 004 |
| 1313809 | 0 250 202 135 | EZD 18 | 0 250 202 094 | PI-44 | GPI-008 | PT-100 | GPT-208 |
| 1369590 | 0 250 204 002 | EZD 22 | 0 250 202 007 | PI-45 | GPI-017 | PT-101 | 0 250 202 119 |
| 1587444 | 0 250 201 039 | EZD 30 | 0 250 201 039 | PI-46 | GPI-005 | PT-101 | GPT-207 |
| 1587757 | 0 250 102 002 | EZD 36 | 0 250 202 023 | PI-48 | GPI-009 | PT-103 | 0 250 202 096 |
| 1590417 | 0 250 202 001 | FOR0001799 | GPM-501 | PI-49 | GPI-010 | PT-104 | 0 250 202 004 |
| 1626445 | 0 250 202 001 | FOR0001800 | GPM-501 | PI-50 | GPI-021 | PT-104 | GPT-208 |
| 1669977 | 0 250 202 022 | FOR0002799 | GPM-502 | PI-56 | GPI-024 | PT-105 | GPT-210 |
| 1690048 | 0 250 202 023 | FOR0004568 | GPM-513 | PI-57 | GPI-016 | PT-107 | 0 250 202 051 |
| 1952464 | 0 250 202 093 | FOR0004569 | GPM-513 | PI-58 | GPI-013 | PT-107 | GPT-212 |
| 4025139 | 0 250 202 089 | NAVI 1 820 697 C1 | 0 250 202 127 | PI-59 | GPI-014 | PT-108 | GPT-213 |
| 5023129 | 0 250 202 094 | S501 18 140A | GPM-502 | PM- 75 | 0 250 202 094 | PT-140 | 0 250 202 054 |
| 5023133 | 0 250 202 007 | V94DD6 M090 AA | 0 250 201 039 | PM-160 | GPF-121 | PT-140 | GPT-216 |
| 5023372 | 0 250 201 039 | V94DX6 M090 AA | 0 250 201 039 | PM-161 | GPF-128 | PT-141 | 0 250 202 076 |
| 5031006 | 0 250 201 039 | V95DD6 M090 AA | 0 250 202 023 | PM-162 | GPM-900 | PT-141 | GPT-217 |
| 6048827 | 0 250 200 055 | WL03 18 601 | GPM-513 | PM-163 | GPF-124 | PT-142 | GPT-219 |
| 6063505 | 0 250 202 001 | XM341 2A342 BA | 0 250 202 089 | PM-164 | GPF-118 | PT-144 | 0 250 202 096 |
| 6075812 | 0 250 202 001 | XS4U6 M090 AB | 0 250 202 131 | PM-165 | GPF-129 | PT-144 | GPT-215 |
| 6110609 | 0 250 201 039 | XS7U6 M090 BA | 0 250 202 130 | PM-167 | GPM-903 | PT-145 | 0 250 202 058 |
| 6132246 | 0 250 202 001 | XS7U6 M090 BA | 0 250 202 130 | PM-168 | GPM-904 | PT-145 | GPT-218 |
| 6154593 | 0 250 201 039 | XS7U6 M090 BB | 0 250 202 130 | PM-65 | GPM-905 | PT-146 | 0 250 202 115 |
| 6163811 | 0 250 202 001 | | | PM-73 | GPF-103 | PT-146 | GPT-214 |
| 7072673 | 0 250 201 039 | | | PM-74 | GPM-906 | PT-147 | 0 250 202 073 |
| 7088988 | 0 250 202 001 | | | PM-75 | GPF-112 | PT-147 | GPT-221 |
| 8653880 | 0 250 403 001 | | | PM-77 | GPF-116 | PT-148 | GPT-900 |
| 1 820 697 C1 | 0 250 202 127 | | | PM-78 | GPM-907 | PT-150 | 0 250 202 095 |
| 1353 18 140 | GPM-501 | HINO | | PM-79 | GPE-904 | PT-150 | GPT-222 |
| 1353 18 140A | GPM-501 | 6301330010 | GPH-402 | PN- 81 | 0 250 202 015 | PT-151 | 0 250 202 096 |
| 1E07 18 601B | 0 250 201 049 | 067100 1830 | GPH-409 | PN- 87 | 0 250 202 110 | PT-151 | GPT-223 |
| 19110 1040A | GPH-402 | 19110 1160 | GPH-408 | PN-120 | GPN-308 | PT-152 | 0 250 202 095 |
| 1M211 8B515 AA | 0 250 202 023 | 19110 1220 | GPH-409 | PN-121 | GPN-316 | PT-152 | GPT-220 |
| 2S6Q6 M090 AA | 0 250 204 001 | 1985A56012 | GPT-207 | PN-123 | GPN-319 | PT-153 | GPT-228 |
| 2S6Q6 M090 BA | 0 250 204 002 | 1985A68060 | GPT-217 | PN-124 | 0 250 202 069 | PT-154 | GPT-233 |
| 3M5Q6 M090 AB | 0 250 202 135 | | | PN-124 | GPN-317 | PT-155 | GPT-234 |
| 715F1 1390 CA | 0 250 102 002 | | | PN-125 | GPN-311 | PT-157 | GPT-901 |
| 715F6 2055 AA | 0 250 102 002 | HKT | | PN-126 | 0 250 202 005 | PT-158 | GPT-902 |
| 715F6 L055 AC | 0 250 102 002 | B-110 | GPK-900 | PN-126 | GPN-315 | PZ-30 | GPM-501 |
| 715F6 L055 AD | 0 250 102 002 | B-120 | GPK-901 | PN-127 | GPN-314 | PZ-31 | 0 250 202 107 |
| 785F6 M090 BA | 0 250 201 039 | CP-01 | GPN-330 | PN-128 | 0 250 202 017 | PZ-31 | GPM-503 |
| 78GB6 M090 BA | 0 250 200 055 | | | PN-128 | GPN-318 | PZ-33 | 0 250 202 007 |
| 78GB6 M090 CA | 0 250 201 039 | CP-02 | GPN-331 | PN-129 | GPN-320 | PZ-33 | GPM-502 |
| 795F6 M090 AA | 0 250 202 001 | CP-03 | GPN-342 | PN-130 | GPN-321 | PZ-35 | 0 250 202 089 |
| 795F6 M090 BA | 0 250 202 001 | CP-04 | GPN-341 | PN-130 | GPN-321 | PZ-35 | GPM-504 |
| 795F6 M090 CA | 0 250 202 001 | CP-05 | GPF-119 | PN-131 | 0 250 202 064 | PZ-35 | GPM-504 |
| 83BB6 M090 A1A | 0 250 201 039 | CP-06 | GPF-133 | PN-131 | GPN-324 | PZ-37 | GPM-511 |
| 83BB6 M090 A2A | 0 250 201 039 | CP-07 | GPF-117 | PN-132 | 0 250 202 077 | PZ-38 | GPM-510 |
| 84BB6 M090 AA | 0 250 201 039 | CP-20 | GPT-235 | PN-132 | GPN-322 | PZ-39 | GPM-513 |
| 84FF6 M090 B1A | 0 250 202 001 | CP-22 | GPT-225 | PN-133 | GPN-323 | PZ-701 | GPM-516 |
| 84FF6 M090 B2A | 0 250 202 001 | CP-60 | GPM-515 | PN-135 | 0 250 202 094 | PZ-702 | GPM-517 |
| 84FF6 M091 BA | 0 250 202 001 | CP-70 | GPN-908 | PN-135 | GPN-327 | | |
| 84FF6 M090 B1A | 0 250 202 001 | CP-73 | GPN-900 | PN-136 | GPN-328 | | |
| 84FF6 M090 B2A | 0 250 202 001 | PD-190 | 0 250 202 051 | PN-137 | GPN-326 | HOLDEN | |
| 88BB6 M090 AA | 0 250 201 039 | PD-190 | GPD-903 | PN-138 | 0 250 202 093 | 1214018 | 0 250 202 103 |
| 890X6 M090 UA | 0 250 201 039 | PD-192 | GPD-906 | PN-138 | GPN-338 | 1214034 | 0 250 203 001 |
| 89FF6 M090 AA | 0 250 202 001 | PH-21 | GPH-402 | PN-81 | GPN-302 | 1214300 | 0 250 200 055 |
| 89FF6 M091 AA | 0 250 202 001 | PH-25 | GPH-408 | PN-82 | GPN-305 | 1214303 | 0 250 200 051 |
| 93BB6 M090 A2A | 0 250 201 039 | PH-26 | GPH-409 | PN-84 | GPN-339 | 1214304 | 0 250 201 039 |
| 93FF6 M090 AA | 0 250 202 001 | PI- 42 | 0 250 202 011 | PN-85 | GPN-310 | 1214305 | 0 250 202 043 |
| 94DD6 M090 AA | 0 250 201 039 | PI- 46 | 0 250 202 008 | PN-86 | GPN-332 | 1214306 | 0 250 201 039 |
| 95VW6 M090 AA | 0 250 202 022 | PI- 49 | 0 250 202 065 | PN-87 | GPN-306 | 1214307 | 0 250 201 039 |
| 95VW6 M090 AB | 0 250 202 022 | PI- 51 | 0 250 202 086 | PN-88 | GPN-336 | 1214308 | 0 250 202 008 |
| 95DD6 M090 AA | 0 250 202 023 | PI- 57 | 0 250 202 087 | PN-89 | GPN-309 | 1214309 | 0 250 202 086 |
| 96FF6 M090 AA | 0 250 201 049 | PI- 58 | 0 250 202 085 | PS-201 | GPE-901 | 1214310 | 0 250 202 087 |
| 96FF6 M090 BA | 0 250 201 049 | PI-172 | GPI-026 | PS-202 | GPE-900 | 1214311 | 0 250 202 085 |
| 96FF6 M090 CA | 0 250 201 049 | PI-173 | GPI-900 | PS-206 | GPE-902 | 1214315 | 0 250 202 087 |



| | |
|---------|---------------|
| 1214316 | 0 250 312 003 |
| 1214317 | 0 250 201 027 |
| 1214319 | 0 250 201 039 |
| 1214321 | 0 250 202 065 |
| 1214322 | 0 250 202 027 |

| | |
|---------|---------------|
| 1214323 | 0 250 202 065 |
| 1214324 | 0 250 201 027 |
| 1214427 | 0 250 202 023 |
| 1214456 | 0 250 202 042 |
| 1214457 | 0 250 202 042 |

| | |
|----------|---------------|
| 03443087 | 0 250 200 055 |
| 03443450 | 0 250 200 055 |
| 4300425 | 0 250 202 065 |
| 4300615 | 0 250 202 065 |
| 4402945 | 0 250 202 035 |

| | |
|----------|---------------|
| 4403145 | 0 250 202 001 |
| 9110724 | 0 250 202 022 |
| 9110945 | 0 250 202 035 |
| 09110945 | 0 250 202 035 |
| 9111145 | 0 250 202 001 |

| | |
|----------|---------------|
| 09111145 | 0 250 202 001 |
| 09118201 | 0 250 202 042 |
| 9118201 | 0 250 202 042 |
| 9196669 | 0 250 202 043 |
| 90019495 | 0 250 200 051 |

| | |
|----------|---------------|
| 90040991 | 0 250 201 039 |
| 90093867 | 0 250 201 039 |
| 90166155 | 0 250 201 039 |
| 90464737 | 0 250 202 027 |
| 90487858 | 0 250 201 027 |

| | |
|----------|---------------|
| 90510924 | 0 250 201 039 |
| 90540864 | 0 250 201 027 |
| 90569338 | 0 250 202 042 |
| 91153919 | 0 250 202 023 |
| 93171875 | 0 250 202 103 |

| | |
|----------|---------------|
| 93178047 | 0 250 203 002 |
| 93178225 | 0 250 202 043 |
| 93178411 | 0 250 203 001 |
| 93178411 | 0 250 203 001 |
| 93180295 | 0 250 202 036 |

| | |
|----------|---------------|
| 93190433 | 0 250 202 132 |
| 93196922 | 0 250 202 022 |
| 93197242 | 0 250 202 042 |
| 93197243 | 0 250 201 039 |
| 93197244 | 0 250 202 043 |

| | |
|----------|---------------|
| 94133759 | 0 250 202 065 |
| 94140115 | 0 250 202 065 |
| 94175158 | 0 250 202 065 |
| 94319700 | 0 250 202 085 |
| 94402303 | 0 250 202 086 |

| | |
|----------|---------------|
| 94422171 | 0 250 202 008 |
| 94439218 | 0 250 202 008 |
| 94481972 | 0 250 202 087 |
| 97044037 | 0 250 202 087 |
| 97080554 | 0 250 312 003 |

| | |
|--------------|---------------|
| 12 14 040 | 0 250 202 036 |
| 12 14 045 | 0 250 202 027 |
| 8 94133759 5 | GPI-010 |
| 8 94175158 0 | GPI-010 |
| 8 94221719 3 | GPI-005 |

| | |
|--------------|---------------|
| 8 94241449 0 | GPI-005 |
| 8 94255588 0 | GPI-005 |
| 8 94387612 1 | GPI-014 |
| 8 97044037 0 | GPI-014 |
| 9 318 0295 | 0 250 202 036 |

| | |
|------------|---------------|
| 9 319 0433 | 0 250 202 132 |
| 93 183 990 | 0 250 202 027 |

| | |
|----------------|---------------|
| HYUNDAI | |
| 36710 29000 | 0 250 201 042 |
| 36710 29001 | 0 250 201 042 |
| 36710 42000 | 0 250 202 094 |

| | |
|-------------|---------------|
| 36710 42010 | 0 250 202 094 |
| 36710 42020 | 0 250 202 094 |
| 36710 42500 | 0 250 312 007 |

| | |
|---------------|---------------|
| ISUZU | |
| 1 82513 043 0 | 0 250 202 105 |
| 12 14 321 | 0 250 202 065 |
| 5 81410 040 0 | GPI-017 |

| | |
|---------------|---------------|
| 5 81410 056 3 | GPI-009 |
| 5 81410 057 3 | 0 250 202 107 |
| 5 81410 058 3 | GPI-009 |
| 8 9413 5377 4 | GPI-021 |
| 8 94133 759 1 | 0 250 202 065 |

| | |
|---------------|---------------|
| 8 94133 759 2 | 0 250 202 065 |
| 8 94133 759 2 | GPI-010 |
| 8 94133 759 3 | 0 250 202 065 |
| 8 94133 759 4 | 0 250 202 065 |
| 8 94133 759 5 | 0 250 202 065 |

| | |
|---------------|---------------|
| 8 94133 759 5 | GPI-010 |
| 8 94133 759 6 | 0 250 202 065 |
| 8 94133 759 7 | 0 250 202 065 |
| 8 94140 115 3 | 0 250 202 065 |
| 8 94144 412 0 | 0 250 202 085 |

| | |
|---------------|---------------|
| 8 94144 412 0 | GPI-013 |
| 8 94144 412 1 | 0 250 202 085 |
| 8 94175 158 0 | 0 250 202 065 |
| 8 94175 158 0 | GPI-010 |
| 8 94175 158 1 | 0 250 202 065 |

| | |
|---------------|---------------|
| 8 94221 719 3 | 0 250 202 008 |
| 8 94221 719 3 | GPI-005 |
| 8 94241 449 0 | 0 250 202 008 |
| 8 94241 449 0 | GPI-005 |
| 8 94255 588 0 | 0 250 202 008 |

| | |
|---------------|---------------|
| 8 94255 588 0 | GPI-005 |
| 8 9431 9700 2 | 0 250 202 085 |
| 8 94319 700 1 | 0 250 202 085 |
| 8 94319 700 1 | GPI-013 |
| 8 94387 612 1 | GPI-014 |

| | |
|---------------|---------------|
| 8 94390 777 4 | GPI-900 |
| 8 94402 303 1 | 0 250 202 086 |
| 8 94439 218 0 | 0 250 202 008 |
| 8 94481 972 0 | 0 250 202 087 |
| 8 94481 972 0 | GPI-016 |

| | |
|---------------|---------------|
| 8 97033 761 0 | GPI-021 |
| 8 97043 744 0 | GPI-014 |
| 8 97044 037 0 | 0 250 202 087 |
| 8 97044 037 0 | GPI-014 |
| 8 97143 674 1 | GPI-026 |

| | |
|---------------|---------------|
| 9 4133 759 | 0 250 202 065 |
| 9 4140 115 | 0 250 202 065 |
| 9 4175 158 | 0 250 202 065 |
| 9 82511 945 0 | GPI-001 |
| 9 82511 957 0 | 0 250 202 011 |

| | |
|---------------|---------------|
| 9 82511 964 0 | 0 250 202 011 |
| 9 82511 965 0 | 0 250 202 104 |
| 9 82511 978 0 | 0 250 202 011 |
| 9 82511 978 0 | GPI-003 |
| 9 82511 978 1 | 0 250 202 011 |

| | |
|---------------|---------------|
| 9 82511 978 2 | 0 250 202 011 |
| 9 82511 978 3 | 0 250 202 011 |
| 9 82511 979 0 | 0 250 202 104 |
| 9 82511 994 0 | GPI-001 |
| 9 82513 928 0 | 0 250 202 105 |

| | |
|---------------|---------------|
| 9 82513 928 1 | 0 250 202 105 |
| 9 82513 928 2 | 0 250 202 105 |
| 9 82513 928 2 | GPI-008 |
| 9 82513 928 3 | 0 250 202 105 |
| 9 82513 928 4 | 0 250 202 105 |

| | |
|---------------|---------------|
| 9 82513 928 5 | 0 250 202 105 |
| 9 82513 928 6 | 0 250 202 105 |
| 9 82513 928 7 | 0 250 202 105 |
| 9 82513 928 8 | 0 250 202 105 |
| 9 82513 928 9 | 0 250 202 105 |

| | |
|---------------|---------------|
| 9 82513 955 0 | 0 250 202 104 |
| 9 82513 959 0 | 0 250 202 104 |
| 9 82513 959 1 | 0 250 202 104 |
| 9 82513 959 2 | 0 250 202 104 |
| 9 82513 959 3 | 0 250 202 104 |

| | |
|---------------|---------------|
| 9 82513 959 4 | 0 250 202 104 |
|---------------|---------------|

| | |
|--------------|---------------|
| IVECO | |
| 4774413 | 0 250 201 039 |
| 4776085 | 0 257 204 002 |
| 4781356 | 0 250 201 039 |

| | |
|----------|---------------|
| 4832279 | 0 257 204 002 |
| 4841294 | 0 250 201 039 |
| 5951879 | 0 250 201 039 |
| 7632587 | 0 250 202 002 |
| 98411031 | 0 257 205 003 |

| | |
|-----------|---------------|
| 98462490 | 0 250 201 039 |
| 99450393 | 0 257 205 003 |
| 500316493 | 0 250 202 002 |

| | |
|--------------|---------------|
| KIA | |
| 0K054 18140 | 0 250 202 089 |
| 0K710 18140 | 0 250 202 089 |
| 0K710 18140A | 0 250 202 089 |

| | |
|-------------|---------------|
| 0K75A 18140 | 0 250 202 089 |
| 36710 27010 | GPK-900 |
| 36710 42500 | 0 250 312 007 |
| 36710 4A000 | GPK-901 |

| | |
|--------------|---------------|
| MAZDA | |
| 1353 18 140 | GPM-501 |
| 1353 18 140A | GPM-501 |
| 1E07 18 601 | 0 250 201 049 |

| | |
|--------------|---------------|
| 1E07 18 601B | 0 250 201 049 |
| 1N01 18 601A | GPN-330 |
| 1N03 18 601 | GPN-331 |
| RF1M 18 601 | GPM-515 |
| RFG1-18-601 | GPM-510 |

| | |
|--------------|---------------|
| RFJ5 18 601 | GPM-511 |
| RFN1 18 601 | 0 250 202 089 |
| RFN1 18 601A | 0 250 202 089 |
| RFP1 18 601 | GPM-517 |
| RFR1 18 601 | 0 250 202 089 |

| | |
|--------------|---------------|
| RFS5 18 601 | 0 250 202 090 |
| RFS5 18 601A | 0 250 202 090 |
| S201 18 140 | 0 250 202 007 |
| S210 18 140 | 0 250 202 089 |
| S210 18 140 | GPM-504 |

| | |
|--------------|---------------|
| S501 18 140 | 0 250 202 007 |
| S501 18 140A | 0 250 202 007 |
| S501 18 140A | GPM-502 |
| SE01 18 140A | 0 250 202 107 |
| SE01 18 140A | GPM-503 |

| | |
|-------------|---------------|
| SEM1 18 601 | GPM-516 |
| WL03 18 601 | GPM-513 |
| WL81 18 601 | 0 250 202 089 |
| WLO1 18 601 | 0 250 202 089 |
| WLO3 18 601 | 0 250 202 089 |

| | |
|-------------|---------------|
| Y401 18 601 | 0 250 204 001 |
| Y404 18 601 | 0 250 204 002 |
| YJ01 18 601 | GPI-021 |

| | |
|----------------------|---------------|
| MERCEDES BENZ | |
| 000 150 05 81 | 0 250 202 040 |
| 000 159 06 01 | 0 250 001 010 |
| 000 159 13 01 | 0 250 002 004 |

| | |
|---------------|---------------|
| 000 159 24 01 | 0 250 001 010 |
| 000 159 25 01 | 0 250 001 016 |
| 000 159 26 01 | 0 250 001 016 |
| 000 159 41 01 | 0 250 200 021 |
| 000 159 60 01 | 0 250 001 016 |

| | |
|---------------|---------------|
| 000 159 61 01 | 0 250 001 016 |
| 000 159 74 01 | 0 250 102 002 |
| 000 159 77 01 | 0 250 201 039 |
| 000 159 81 01 | 0 250 201 039 |
| 000 159 82 01 | 0 250 200 064 |

| | |
|---------------|---------------|
| 000 159 83 01 | 0 250 201 039 |
| 000 159 90 01 | 0 250 001 016 |
| 001 159 00 01 | 0 250 201 041 |
| 001 159 15 01 | 0 250 201 035 |
| 001 159 16 01 | 0 250 201 035 |

| | |
|---------------|---------------|
| 001 159 17 01 | 0 250 201 041 |
| 001 159 20 01 | 0 250 201 038 |
| 001 159 21 01 | 0 250 201 038 |
| 001 159 22 01 | 0 250 201 039 |
| 001 159 25 01 | 0 250 200 021 |

| | |
|---------------|---------------|
| 001 159 26 01 | 0 250 202 026 |
| 001 159 27 01 | 0 250 202 041 |
| 001 159 28 01 | 0 250 202 029 |
| 001 159 35 01 | 0 250 201 039 |
| 001 159 36 01 | 0 250 201 041 |

| | |
|---------------|---------------|
| 001 159 37 01 | 0 250 202 045 |
| 001 159 38 01 | 0 250 202 045 |
| 001 159 42 01 | 0 250 202 045 |
| 001 159 48 01 | 0 250 202 045 |
| 001 159 49 01 | 0 250 202 045 |

| | |
|---------------|---------------|
| 001 159 50 01 | 0 250 403 006 |
| 001 159 96 01 | 0 250 201 041 |
| 001 159 99 01 | 0 250 201 041 |

| MITSUBISHI | |
|-------------|---------------|
| 3671042500 | 0 250 312 007 |
| 31366 02100 | GPM-905 |
| 31366 14700 | GPM-905 |

| | |
|-------------|---------------|
| 31366 14701 | GPM-905 |
| 31666 02109 | GPM-905 |
| M 816732 | 0 250 201 050 |
| MD 014997 | GPF-128 |
| MD 050212 | 0 250 202 094 |

| | |
|-----------|---------------|
| MD 050212 | GPF-112 |
| MD 070194 | 0 250 202 094 |
| MD 077167 | 0 250 202 094 |
| MD 092392 | GPF-133 |
| MD 197511 | 0 250 312 007 |

| | |
|-----------|---------------|
| MD 197511 | GPF-117 |
| MD 301950 | 0 250 202 092 |
| MD 301950 | GPF-118 |
| MD 344469 | GPM-903 |
| MD 354500 | 0 250 202 092 |

| | |
|-----------|---------------|
| ME 001581 | GPM-900 |
| ME 007545 | GPM-905 |
| ME 007547 | GPM-906 |
| ME 007637 | 0 250 202 091 |
| ME 007649 | 0 250 202 091 |

| | |
|-----------|---------|
| ME 007649 | GPF-124 |
| ME 017009 | GPF-121 |
| ME 017010 | GPF-103 |
| ME 017013 | GPF-103 |
| ME 017057 | GPM-907 |

| | |
|-----------|---------|
| ME 077615 | GPF-116 |
| ME 200970 | GPF-119 |
| ME 201632 | GPM-902 |
| ME 201632 | GPM-902 |
| ME 201638 | GPF-119 |

| | |
|-----------|---------------|
| ME 203539 | 0 250 202 124 |
| ME 203539 | GPM-904 |
| ME 203583 | 0 250 202 121 |
| ME 203583 | GPM-902 |
| ME 203754 | GPM-902 |

| | |
|-----------|---------------|
| ME 203754 | GPM-902 |
| ME 240253 | 0 250 202 122 |
| MM 401625 | GPM-905 |
| MN 980234 | 0 250 403 002 |
| MR 577131 | 0 250 202 092 |

| NGK | |
|-------|---------------|
| CY-01 | 0 250 312 001 |
| CY-01 | GPN-330 |
| CY-02 | 0 250 312 002 |

| | |
|-------|---------------|
| CY-02 | GPN-331 |
| CY-03 | 0 250 312 003 |
| CY-05 | GPF-119 |
| CY-07 | 0 250 312 007 |
| CY-07 | GPF-117 |

| | |
|-------|---------------|
| CY-08 | GPN-342 |
| CY-51 | 0 250 312 001 |
| CY-52 | 0 250 312 002 |
| CY-53 | 0 250 312 003 |
| CY-57 | 0 250 312 007 |

| | |
|---------|---------------|
| CZ-01 | GPN-908 |
| Y 302 | 0 250 200 035 |
| Y-103 | 0 250 202 015 |
| Y-103 | GPN-302 |
| Y-103-1 | GPN-310 |

| | |
|---------|---------------|
| Y-103-2 | GPN-332 |
| Y-103V | GPE-901 |
| Y-104 | 0 250 202 011 |
| Y-104 | GPI-003 |
| Y-104R | 0 250 202 008 |

| | |
|--------|---------------|
| Y-104R | GPI-005 |
| Y-106V | GPE-900 |
| Y-107R | 0 250 202 007 |
| Y-107R | GPM-502 |
| Y-107T | GPM-501 |

| | |
|---------|---------------|
| Y-112M1 | GPN-319 |
| Y-112R | 0 250 202 017 |
| Y-112R1 | 0 250 202 017 |
| Y-112R1 | GPN-318 |
| Y-112T | 0 250 202 110 |

| | |
|---------|---------------|
| Y-112T | GPN-306 |
| Y-112TS | 0 250 202 110 |
| Y-114T | GPE-904 |
| Y-115R1 | GPF-128 |
| Y-115T | 0 250 202 094 |

| | |
|---------|---------------|
| Y-115T1 | 0 250 202 094 |
| Y-115T1 | GPF-112 |
| Y-117RS | 0 250 202 005 |
| Y-117RS | GPN-315 |
| Y-117SS | GPN-314 |

| | |
|---------|---------------|
| Y-118R | 0 250 202 054 |
| Y-118R | GPT-216 |
| Y-118T | 0 250 202 096 |
| Y-118T1 | 0 250 202 096 |
| Y-118T1 | GPT-215 |

| | |
|---------|---------------|
| Y-128T | 0 250 202 004 |
| Y-128T | GPT-208 |
| Y-128T | GPT-208 |
| Y-144SS | GPN-323 |
| Y-146R | 0 250 202 051 |

| | |
|---------|---------------|
| Y-146R | GPD-903 |
| Y-146R | GPT-212 |
| Y-147T | 0 250 202 058 |
| Y-147T | GPT-218 |
| Y-154RS | 0 250 202 065 |

| | |
|---------|---------------|
| Y-154RS | GPI-009 |
| Y-157R | 0 250 202 107 |
| Y-157R | GPM-503 |
| Y-162R1 | 0 250 202 069 |
| Y-162R1 | GPN-317 |

| | |
|---------|---------------|
| Y-168R | GPT-219 |
| Y-176 | GPH-402 |
| Y-177-1 | GPN-336 |
| Y-178T | 0 250 202 119 |
| Y-178T | GPT-207 |

| | |
|--------|---------------|
| Y-181T | GPN-308 |
| Y-197R | 0 250 202 076 |
| Y-197R | GPT-217 |
| Y-197T | GPT-213 |
| Y-202 | GPN-339 |

| | |
|----------|---------------|
| Y-204RS | GPN-316 |
| Y-204SS | GPN-320 |
| Y-204TS1 | GPN-309 |
| Y-207T | 0 250 201 032 |
| Y-208T | 0 250 201 039 |

| | |
|---------|---------|
| Y-251 | GPM-905 |
| Y-252 | GPN-305 |
| Y-271-2 | GPI-008 |
| Y-272R1 | GPN-311 |
| Y-272T | GPN-321 |

| | |
|--------|---------------|
| Y-274 | GPF-103 |
| Y-274R | GPF-121 |
| Y-403T | 0 250 200 051 |
| Y-504R | 0 250 202 032 |
| Y-508J | GPK-901 |

| | |
|--------|---------------|
| Y-701J | 0 250 202 089 |
| Y-701J | GPM-513 |
| Y-701R | 0 250 202 089 |
| Y-701R | GPM-511 |
| Y-702U | GPE-903 |

| | |
|---------|---------------|
| Y-703R | 0 250 202 095 |
| Y-703R | GPT-222 |
| Y-705RS | 0 250 202 077 |
| Y-705RS | GPN-322 |
| Y-707RS | 0 250 202 094 |

| | |
|---------|---------------|
| Y-707RS | GPN-327 |
| Y-710R | 0 250 202 085 |
| Y-710R | GPI-013 |
| Y-711RS | 0 250 202 087 |
| Y-711RS | GPI-016 |

| | |
|---------|---------------|
| Y-712RS | 0 250 202 093 |
| Y-712RS | GPN-338 |
| Y-715R | 0 250 202 096 |
| Y-715R | GPT-223 |
| Y-719RS | 0 250 202 087 |

| | |
|---------|---------------|
| Y-719RS | GPI-014 |
| Y-722J | 0 250 202 094 |
| Y-723U | 0 250 202 022 |
| Y-733J | 0 250 202 092 |
| Y-749J | GPK-900 |

| | |
|---------|---------------|
| Y-755RS | 0 250 202 064 |
| Y-755RS | GPN-324 |
| Y-757RS | GPN-328 |
| Y-771R | GPM-516 |
| Y-784M | GPI-900 |

| | |
|--------|---------------|
| Y-810 | 0 250 200 055 |
| Y-811 | 0 250 200 021 |
| Y-901R | 0 250 201 032 |
| Y-902R | 0 250 201 039 |
| Y-904M | 0 250 202 065 |

| | |
|--------|---------------|
| Y-904M | GPI-010 |
| Y-918R | 0 250 201 032 |
| Y-925R | 0 250 201 038 |
| Y-927R | 0 250 202 024 |
| Y-930U | 0 250 201 035 |

| | |
|---------|---------------|
| Y-938R | 0 250 201 042 |
| Y-954M | GPI-021 |
| Y-955RS | GPN-326 |
| Y-971M | GPM-907 |
| YE01 | GPE-902 |

| | |
|-------|---------------|
| YE-04 | 0 250 204 001 |
| YE-05 | 0 250 204 002 |

| NIPPON DENSO | |
|--------------|---------------|
| 067100 1071 | GPH-402 |
| 067100 1161 | GPT-207 |
| 067100 1171 | 0 250 202 004 |

| | |
|-------------|---------------|
| 067100 1171 | GPT-208 |
| 067100 1175 | 0 250 202 004 |
| 067100 1270 | 0 250 202 096 |
| 067100 1280 | GPT-210 |
| 067100 1330 | 0 250 202 058 |

| | |
|-------------|---------------|
| 067100 1330 | GPT-218 |
| 067100 1340 | 0 250 202 097 |
| 067100 1340 | GPT-213 |
| 067100 1350 | 0 250 202 004 |
| 067100 1350 | GPT-208 |

| | |
|-------------|---------------|
| 067100 1370 | 0 250 202 054 |
| 067100 1370 | GPT-216 |
| 067100 1380 | GPT-219 |
| 067100 1430 | 0 250 202 051 |
| 067100 1430 | GPT-212 |

| | |
|-------------|---------------|
| 067100 1450 | GPT-214 |
| 067100 1460 | 0 250 202 076 |
| 067100 1460 | GPT-217 |
| 067100 1500 | 0 250 202 073 |
| 067100 1500 | GPT-221 |

| | |
|-------------|---------------|
| 067100 1530 | GPD-903 |
| 067100 1540 | GPT-900 |
| 067100 1591 | GPH-408 |
| 067100 1630 | 0 250 202 096 |
| 067100 1630 | GPT-215 |

| | |
|-------------|---------------|
| 067100 1670 | GPD-906 |
| 067100 1680 | 0 250 202 115 |
| 067100 1690 | 0 250 202 095 |
| 067100 1690 | GPT-222 |
| 067100 1700 | 0 250 202 097 |

| | |
|-------------|---------------|
| 067100 1700 | GPT-228 |
| 067100 1710 | 0 250 202 096 |
| 067100 1710 | GPT-223 |
| 067100 1830 | GPH-409 |
| 067100 1840 | GPT-234 |

| | |
|-------------|---------------|
| 067100 1850 | 0 250 202 089 |
| 067100 1850 | GPM-517 |
| 067100 1860 | 0 250 202 095 |
| 067100 1860 | GPT-233 |
| 142000 1850 | 0 250 202 089 |

| | |
|-------------|---------|
| 142000 1850 | GPM-515 |
| DG-173 | GPK-900 |
| DG-189 | GPK-901 |

| NISSAN | |
|-------------|---------------|
| 03903417 0 | 0 250 201 032 |
| 11055 T9000 | GPN-311 |
| 11065 02T00 | GPN-326 |

| | |
|-------------|---------------|
| 11065 0W801 | GPN-342 |
| 11065 10G00 | 0 250 202 077 |
| 11065 10G00 | GPN-322 |
| 11065 10T01 | GPN-328 |
| 11065 16A00 | GPN-314 |

| | |
|-------------|---------------|
| 11065 16A01 | GPN-323 |
| 11065 16A05 | 0 250 202 005 |
| 11065 16A05 | GPN-315 |
| 11065 16A10 | GPN-314 |
| 11065 16A11 | GPN-323 |

| | |
|-------------|---------------|
| 11065 16A15 | 0 250 202 005 |
| 11065 16A15 | GPN-315 |
| 11065 2W202 | GPN-900 |
| 11065 2W211 | GPN-900 |
| 11065 30506 | GPN-302 |

| | |
|-------------|---------------|
| 11065 31N00 | 0 250 202 093 |
| 11065 31N00 | GPN-338 |
| 11065 31W00 | 0 250 202 110 |
| 11065 31W00 | GPN-306 |
| 11065 31W01 | 0 250 202 110 |



| | | | |
|--------------|---------------|--------------|---------------|
| 19850 64031 | GPT-220 | N 105 913 3 | 0 250 402 001 |
| 19850 64031B | 0 250 202 095 | N 105 916 02 | 0 250 402 001 |
| 19850 64050 | 0 250 202 095 | N 105 916 03 | 0 250 402 001 |
| 19850 64050 | GPT-233 | N 105 916 3 | 0 250 402 001 |
| 19850 67010 | GPH-402 | | |

| | | | |
|-------------|---------------|--|--|
| 19850 67020 | GPT-225 | | |
| 19850 67030 | GPT-225 | | |
| 19850 68010 | 0 250 202 058 | | |
| 19850 68010 | GPT-218 | | |
| 19850 68020 | 0 250 202 097 | | |

VOLVO

| | |
|--------|---------------|
| 829859 | 0 250 200 064 |
| 837329 | 0 257 201 001 |
| 837330 | 0 257 210 001 |

| | | | |
|-------------|---------------|--|--|
| 19850 68020 | GPT-213 | | |
| 19850 68030 | 0 250 202 004 | | |
| 19850 68030 | GPT-208 | | |
| 19850 68040 | 0 250 202 119 | | |
| 19850 68050 | 0 250 202 115 | | |

| | |
|--------|---------------|
| 838954 | 0 250 200 070 |
| 840643 | 0 250 201 039 |
| 842077 | 0 257 210 003 |
| 870325 | 0 250 001 010 |
| 870680 | 0 250 200 055 |

| | | | |
|-------------|---------------|--|--|
| 19850 68050 | GPT-214 | | |
| 19850 68051 | 0 250 202 115 | | |
| 19850 68060 | 0 250 202 076 | | |
| 19850 68060 | GPT-217 | | |
| 19850 78010 | GPT-900 | | |

| | |
|---------|---------------|
| 870846 | 0 250 200 055 |
| 1257141 | 0 250 201 032 |
| 1257889 | 0 250 201 032 |
| 1275498 | 0 250 202 022 |
| 1275580 | 0 250 201 036 |

| | | | |
|-------------|---------------|--|--|
| 19850 87309 | 0 250 202 004 | | |
| 19850 89101 | GPH-409 | | |
| SU001 00351 | 0 250 202 020 | | |
| SU001 00714 | 0 250 202 020 | | |

| | |
|---------|---------------|
| 1542319 | 0 250 201 034 |
| 1542411 | 0 250 201 034 |
| 3092109 | 0 250 201 034 |
| 3094343 | 0 250 201 034 |
| 3287815 | 0 250 201 039 |

VOLKSWAGEN

| | | | |
|---------------|---------------|--|--|
| 000 394 068 5 | 0 250 201 039 | | |
| 000 394 068 5 | 0 250 201 039 | | |
| 021 919 000 C | 0 250 201 039 | | |

| | |
|----------|---------------|
| 3470278 | 0 250 201 050 |
| 8653880 | 0 250 403 001 |
| 30725069 | 0 250 202 048 |
| 30777311 | 0 250 603 008 |
| 30816732 | 0 250 201 050 |

| | | | |
|---------------|---------------|--|--|
| 03L 963 319 | 0 250 403 007 | | |
| 059 963 319 A | 0 250 202 102 | | |
| 061 905 061 | 0 250 201 014 | | |
| 068 905 061 | 0 250 201 032 | | |
| 102 130 02 | 0 250 201 032 | | |

| | |
|----------|---------------|
| 30862690 | 0 250 202 025 |
|----------|---------------|

| | | | |
|----------------|---------------|--|--|
| J19 850 540 90 | 0 250 202 096 | | |
| N 019 081 01 | 0 250 201 032 | | |
| N 019 081 02 | 0 250 201 032 | | |
| N 019 081 1 | 0 250 201 032 | | |
| N 019 081 2 | 0 250 201 032 | | |

| | | | |
|--------------|---------------|--|--|
| N 019 081 4 | 0 250 201 032 | | |
| N 019 097 01 | 0 250 201 032 | | |
| N 019 097 1 | 0 250 201 032 | | |
| N 019 100 01 | 0 250 201 032 | | |
| N 019 100 02 | 0 250 201 032 | | |

| | | | |
|--------------|---------------|--|--|
| N 019 100 05 | 0 250 201 032 | | |
| N 019 100 06 | 0 250 201 032 | | |
| N 019 100 1 | 0 250 201 032 | | |
| N 019 100 1 | 0 250 201 032 | | |
| N 019 100 2 | 0 250 201 032 | | |

| | | | |
|--------------|---------------|--|--|
| N 019 100 5 | 0 250 201 032 | | |
| N 019 100 6 | 0 250 201 032 | | |
| N 101 401 01 | 0 250 202 022 | | |
| N 101 401 02 | 0 250 202 022 | | |
| N 101 401 03 | 0 250 202 022 | | |

| | | | |
|--------------|---------------|--|--|
| N 101 401 04 | 0 250 202 022 | | |
| N 101 401 05 | 0 250 202 022 | | |
| N 101 664 01 | 0 250 201 022 | | |
| N 102 130 01 | 0 250 201 032 | | |
| N 102 130 02 | 0 250 201 032 | | |

| | | | |
|--------------|---------------|--|--|
| N 103 021 01 | 0 250 201 036 | | |
| N 103 021 02 | 0 250 201 036 | | |
| N 105 792 01 | 0 250 202 023 | | |
| N 105 792 02 | 0 250 202 023 | | |
| N 105 798 02 | 0 250 403 002 | | |





Special cases

| | |
|-----|--|
| 12V | Vehicle electrical system voltage 12 V |
| 24V | Vehicle electrical system voltage 24 V |
| AG | For vehicles with automatic transmission |
| GS | For vehicles with manual transmission |
| KER | For coolant heating |
| KZN | Not for cold climates |
| KZO | Cold climates |
| MOR | For engine |
| NSA | For vehicles without rapid starting system |
| OWE | For vehicles without immobilizer |
| SCN | For vehicles without SCR (Selective Catalytic Reduction) |
| TW | The product fitted must be identified on the vehicle or engine. |
| XEV | For cylinders 1-3 |
| XEW | For cylinders 4-6 |

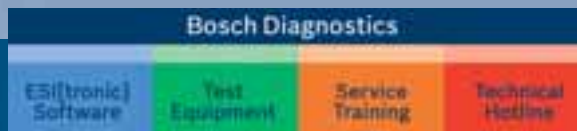


Reliable diagnosis. Time saving repairs.
Bosch diagnostics and service parts.

Everything from a single source. Bosch has a complete program available which increases efficiency and quality in your workshop's daily activities.

Service parts from the global development expert and leading manufacturer of automotive system technology are supplied in renowned Bosch OE quality.

Competence and quality:
Assuring your workshop's future success.



BOSCH

☎ 1 987 AP2 122/201004

Robert Bosch (Australia)
Pty Ltd
Head Office Address
1555 Centre Road
Clayton Vic. 3168

Enquiries : Australia
Phone : 1300 307 040
Fax : 1300 307 041
www.bosch.com.au
customerservice.AA@au.bosch.com

Enquiries : New Zealand
Phone : 0800 452 896
www.bosch.co.nz